





TABLE OF CONTENTS

| | |
|----------------------------------|----|
| Statement | 4 |
| Safety Precaution | 4 |
| Introduction | 5 |
| Features | 5 |
| Packing List | 5 |
| Technical Specifications | 6 |
| Operation Controls and Functions | 7 |
| Application Example | 9 |
| Tech Support | 10 |
| Warranty | 10 |
| Mission Statement | 11 |
| Copyright | 12 |



Statement

Please read these instructions carefully before connecting, operating, or configuring this product. Please save this manual for future reference.

Safety Precaution

- Unpack the equipment carefully and save the original box and packing material for possible future shipment.
- Follow basic safety precautions to reduce the risk of fire, electrical shock and injury to persons.
- To prevent damaging this product, avoid heavy pressure, strong vibration, or immersion during transportation, storage, and installation.
- Do not dismantle the housing or modify the module.
- Using supplies or parts not meeting the products' specifications may cause damage, deterioration or malfunction.
- Do not put any heavy items on the extension cable in case of extrusion.
- Install the device in a place with fine ventilation to avoid damage caused by overheat.
- Do not twist or pull by force ends of the optical cable. It can cause malfunction.
- The housing of this product is made of organic materials. Do not expose to any liquid, gas, or solids which may corrode the shell.
- Unplug this device during lightning storms.
- Do not use liquid or aerosol cleaners to clean this unit. Clean only with a soft dry microfiber cloth.
- Always unplug the power to the device before cleaning.
- If an object or liquid falls or spills on to the housing, unplug the module immediately.
- To prevent the risk of electric shock, do not open the case. Installation and maintenance should only be carried out by qualified technicians.
- Do not use the product beyond the specified temperature, humidity, or power supply specifications.
- This product does not contain parts that can be maintained or repaired by users. Damage caused by dismantling the product without authorization from BZBGEAR is not covered under the warranty policy.
- Installation and use of this product must strictly comply with local electrical safety standards.
- Product specifications may be subject to technical upgrades without further notice.
- Unplug the power cord when left unused for a long period of time.
- Information on disposal for scrapped devices: do not burn or mix with general household waste, please treat them as normal electrical wastes.



Introduction

The BG-PSC8X2HDB is an 18Gbps 8x2 seamless 4K presentation switcher. Equipped with 8 video inputs including 6 HDMI ports, 1 DisplayPort, and 1 VGA port, this HDMI 2.0, HDCP 2.2 and DP 1.2 compliant unit supports multi-format signal processing for seamless switching between all sources. It features automatic input scaling at resolutions up to 4K@60Hz 4:4:4.

Video output is available via simultaneous HDMI and HDBaseT ports. The HDBaseT output extends the signal up to 70 meters at 1080P, or 45 meters at 4K.

Third-party control is supported with bi-directional IR and RS-232 connections and the equipped EDID management helps eliminate video compatibility issues.

Easily embed audio with any of the 8 stereo inputs. The integrated microphone mixer supports adjustable trim and 48V phantom power. Extract audio from the balanced output or power 2 speakers with the 20W stereo output.

Features

- Crystal Clear Images: Stunning image quality in 4K@60 4:4:4
- Integrated Microphone Mixer: Features adjustable trim and 48V Phantom Power
- HDBaseT Output: Extend signal up to 70 meters at 1080P, or 45 meters at 4K
- Integrated Audio Amplifier: Power 2 speakers via 20W stereo outputs
- EDID Management: Eliminates video compatibility issues
- Multiple Control Options: Bi-Directional IR, RS232, and IP Control
- HDMI 2.0, HDCP 2.2 and DP 1.2 compliant
- Support 18Gbps video bandwidth
- Mirrored output with HDMI and HDBaseT output ports
- Support seamless switching
- 8 video inputs: 6 HDMI ports, 1 DP port, 1 VGA port
- 9 audio source selections (LR1 to LR8 and embedded audio) for HDMI/DP input

Packing List

- | | |
|---|-------------------------------------|
| ● 1x 8x2 Seamless UHD Presentation Switcher | ● 1x 5-pin Phoenix Connector |
| ● 1x HDBaseT Receiver | ● 1x IR Blaster Cable (1.5 meters) |
| ● 1x AC Power Cord | ● 1x IR Receiver Cable (1.5 meters) |
| ● 2x Mounting Ear & 2x Handle | ● 1x User Manual |
| ● 12x 3-pin Phoenix Connector | ● 1x Quick Start Guide |
| ● 1x 4-pin Phoenix Connector | |



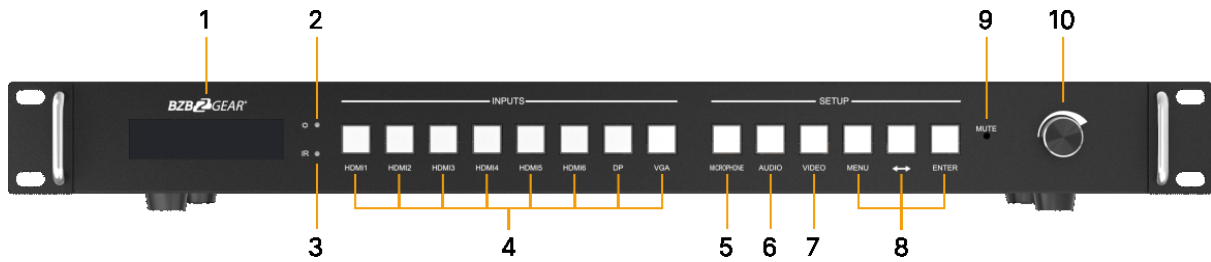
Technical Specifications

| Technical | |
|-------------------------|---|
| HDMI Compliance | HDMI 2.0 |
| HDCP Compliance | HDCP 2.2 |
| DP Version | DP 1.2 |
| Video Bandwidth | 18Gbps |
| Video Resolution | |
| Input Video Resolution | 800x600@60Hz, 1024x768@60Hz, 1280x768@60Hz, 1280x800@60Hz, 1280x1024@60Hz, 1360x768@60Hz, 1366x768@60Hz, 1400x1050@60Hz, 1440x900@60Hz, 1600x1200@60Hz, 1680x1050@60Hz, 1920x1200@60Hz, 480p, 576p, 720p, 1920x1080i, 1920x1080p, 3840x2160@24Hz/25Hz/30Hz/50Hz/60Hz, 4096x2160@24Hz/25Hz/30Hz/50Hz/60Hz. Note: This device does not support 4:2:0 color space |
| Output Video Resolution | Auto, 3840x2160@60Hz, 3840x2160@50Hz, 3840x2160@30Hz, 1920x1080@60Hz, 1920x1080@50Hz, 1280x720@60Hz, 1024x768@60Hz, 1360x768@60Hz, 1600x1200@60Hz, 1920x1200@60Hz. |
| EDID Option | Auto, Manual, 3840x2160@60, 3840x2160@30, 1920x1080@60, 1280x720@60, 1920x1200@60 |
| HDMI Amplitude | T.M.D.S +/- 0.4Vpp |
| Differential Impedance | 100±15ohm |
| ESD Protection | Human-body Model: ±8kV (Air-gap discharge), ±4kV (Contact discharge) |
| RS232/Ethernet Control | |
| Baud rate and Protocol | Baud rate: 9600, data bit: 8 Stop bit: 1, no parity checking |
| Ethernet | IE 10.0+, HTML5 |
| Mechanical | |
| Housing | Metal Enclosure |
| Color | Black |
| Dimensions | 16.9"(W) x 8.7"(D) x 1.7"(H) [430mm(W) x 220mm(D) x 44mm(H)] |
| Weight | 7lbs [3.2Kg] |
| Power Supply | AC 110 - 240V |
| Power Consumption | 60W (Max) |
| Operating Temperature | 32°F ~ 104°F / 0°C ~ 40°C |
| Storage Temperature | -4°F ~ 158°F / -20°C ~ 70°C |
| Relative Humidity | 10%~50% RH (non-condensing) |



Operation Controls and Functions

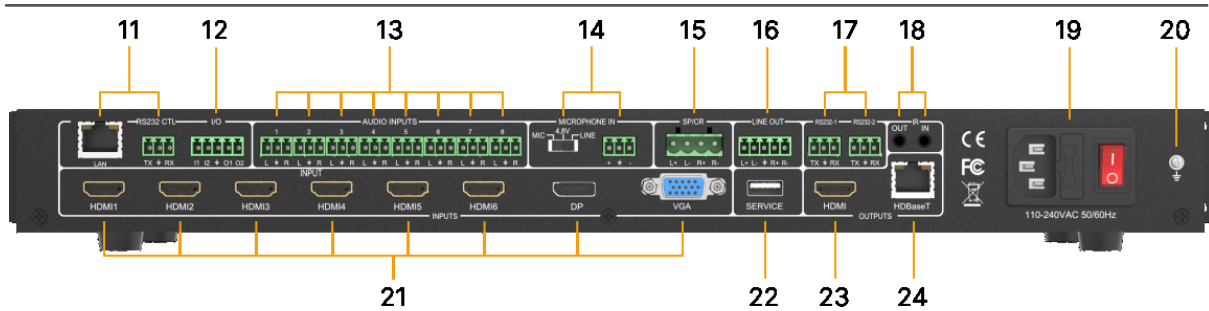
Front Panel



1. **LCM screen:** Display EDID, output resolution, audio configuration, and other information.
2. **Power LED:** When the product is powered on, the red LED will illuminate.
3. **IR:** IR LED.
4. **Input buttons:** Press these buttons to switch the corresponding HDMI/DP/VGA input source.
5. **Microphone button:** Short press the button to switch on/off MIC input. Long press the button the LCM screen will display the MIC volume control interface.
6. **Audio button:** Press the button to switch on/off the current audio source except MIC.
7. **Video button:** Press the button to switch on/off video input.
8. **MENU, ↔, ENTER button:** These three buttons are combination buttons, which can be used to adjust output resolution/EDID management/audio source selection for each input port/output HDCP mode.
9. **Mute LED:** When the speaker is muted, the LED will illuminate.
10. **Volume knob & button:** Rotate the knob to adjust speaker volume (range 0~50), press the knob to mute/unmute the speaker. This knob can also be used to control MIC volume.



Rear Panel



11. PC control:

LAN port: Connect to a router.

RS-232 CTL: Connect to a PC or control system.

12. I/O port: I1 & I2 are for input level detecting and O1 & O2 are for output level setting.

13. Audio Inputs: Audio input ports. Connect to an external audio source device.

14. Microphone In: Dip switch: Used to switch 48V (Phantom Power)/MIC/LINE microphone modes. Phoenix connector: Used to connect microphone devices.

15. SPKR port: Audio output port, connect to audio output device such as speaker.

16. Line Out port: Balanced audio output port. Connect to a speaker.

17. RS-232 ports:

RS-232: Reserved port.

RS-232 BP: Used to transmit a separate RS-232 signal superimposed on HDBaseT transmission.

18. IR Out/In: Connect to IR receiver/blaster cable.

19. Power switch & port:

Power switch: Switch on / off the power supply.

Power port: Connect to 100~240V AC 50/60Hz power cord.

20. GND: Ground the product housing.

21. Input ports: 6 HDMI ports, 1 DP port, 1 VGA port. Connect to source devices.

22. Service port: Firmware update port.

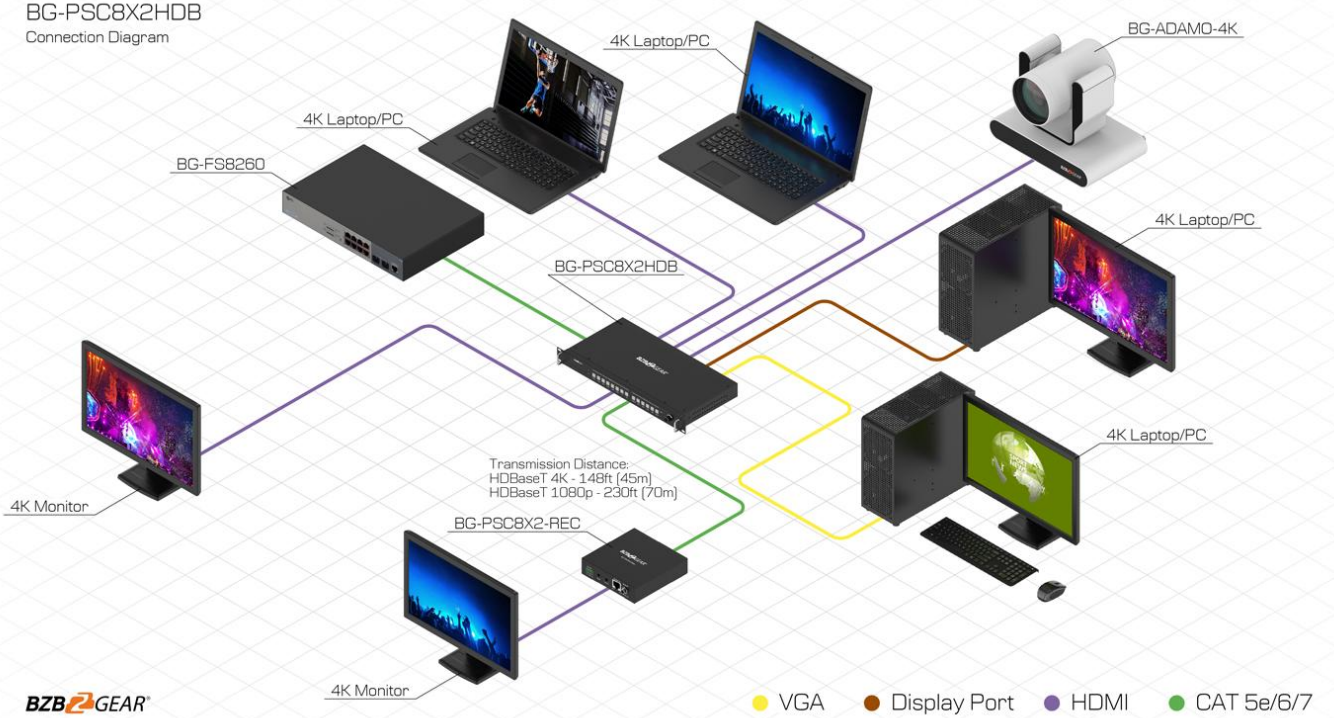
23. HDMI port: HDMI output port. Connect to an HDMI display device such as a TV or monitor with an HDMI cable.

24. HDBaseT port: HDBaseT output port. Connect to the HDBaseT Receiver via a CAT cable.



Application Example

BG-PSC8X2HDB
Connection Diagram





Tech Support

Have technical questions? We may have answered them already!

Please visit BZBGear's support page (bzbgear.com/support) for helpful information and tips regarding our products. Here you will find our Knowledge Base (bzbgear.com/knowledge-base) with detailed tutorials, quick start guides, and step-by-step troubleshooting instructions. Or explore our YouTube channel, BZB TV (youtube.com/c/BZBTVchannel), for help setting up, configuring, and other helpful how-to videos about our gear.

Need more in-depth support? Connect with one of our technical specialists directly:

| <u>Phone</u> | <u>Email</u> | <u>Live Chat</u> |
|---------------------|--|--|
| 1.888.499.9906 | support@bzbgear.com | bzbgear.com |

Warranty

BZBGear Pro AV products and cameras come with a three-year warranty. An extended two-year warranty is available for our cameras upon registration for a total of five years.

For complete warranty information, please visit bzbgear.com/warranty.

For questions, please call 1.888.499.9906 or email support@bzbgear.com.



Mission Statement

BZBGear is a breakthrough manufacturer of high-quality, innovative audiovisual equipment ranging from AVoIP, professional broadcasting, conferencing, home theater, to live streaming solutions. We pride ourselves on unparalleled customer support and services. Our team offers system design consultation, and highly reviewed technical support for all the products in our catalog. BZBGear delivers quality products designed with users in mind.



Copyright

All the contents in this manual and its copyright are owned by BZBGear. No one is allowed to imitate, copy, or translate this manual without BZBGear's permission. This manual contains no guarantee, standpoint expression or other implies in any form. Product specification and information in this manual is for reference only and subject to change without notice.

All rights reserved. No reproducing is allowed without acknowledgement.