

BG-OMNITALK-PRO

**USB/Bluetooth Wireless Desktop Conference Speakerphone
with 360° Audio Pickup up to 20ft**

User Manual

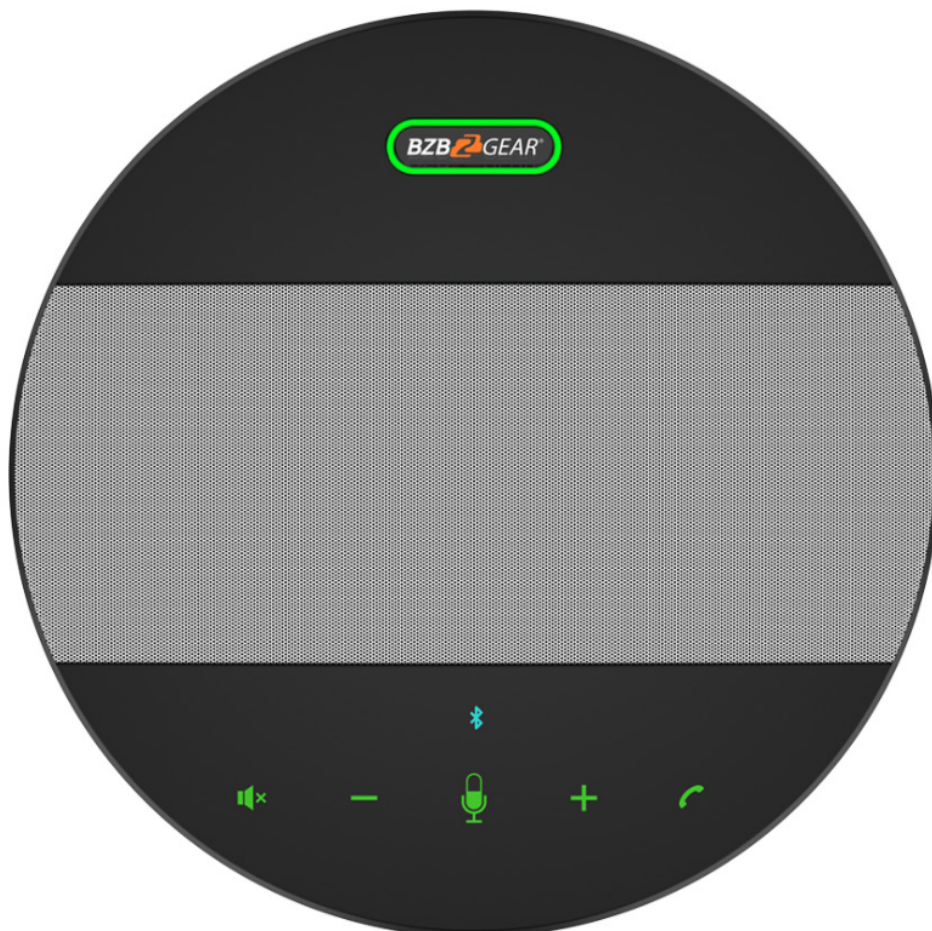






Table of Contents

Statement	4
Safety Precaution	4
Introduction	5
Features	5
Package Contents	5
Specifications	6
Panel Descriptions	7
LED Status	8
Connections	8
Application Example	10
Tech Support	11
Warranty	11
Mission Statement	12
Copyright	12



Statement

Please read these instructions carefully before connecting, operating, or configuring this product. Please save this manual for future reference.

Safety Precaution

- To prevent damaging this product, avoid heavy pressure, strong vibration, or immersion during transportation, storage, and installation.
- The housing of this product is made of organic materials. Do not expose to any liquid, gas, or solids which may corrode the shell.
- Do not expose the product to rain or moisture.
- Unplug this device during lightning storms
- Clean only with a soft dry microfiber cloth.
- To prevent the risk of electric shock, do not open the case. Installation and maintenance should only be carried out by qualified technicians.
- Do not use the product beyond the specified temperature, humidity, or power supply specifications.
- This product does not contain parts that can be maintained or repaired by users. Damage caused by dismantling the product without authorization from BZBGear is not covered under the warranty policy.
- Installation and use of this product must strictly comply with local electrical safety standards.
- Only use accessories specified by the manufacture
- Product specifications may be subject to technical upgrades without further notice
- Do not hot plug when it is working.



Introduction

The BG-OMNITALK-PRO Bluetooth Conference Speakerphone is a robust audio solution designed to cater to modern communication requirements. With its 360° omni-directional microphone array, 6-meter voice pickup range, and seamless integration with popular conferencing applications, this speakerphone is perfect for a wide range of uses, from business meetings and online conferences to distance education.

The built-in battery also means that the BG-OMNITALK-PRO is portable and can be used when and where you need it at a moment's notice. At full charge the device can last for up to 24 hours thanks to its 8000mA battery.

Features

- 360° Omni-directional Microphone
- Microphone pickup range up to 20ft (6 meters)
- 8000mA battery for up to 24 hours of use
- Portable and lightweight
- Easy and intuitive functionality
- Bluetooth capable
- Works with all major conferencing systems such as Zoom, Skype, Teams, etc.
- 3.5mm stereo audio output to connect to external speakers

Package Contents

- 1 x BG-OMNITALK-PRO
- 1 x User Manual
- 1 x USB Type-C Cable
- 1 x Bluetooth Dongle
- 1 x OTG Adapter

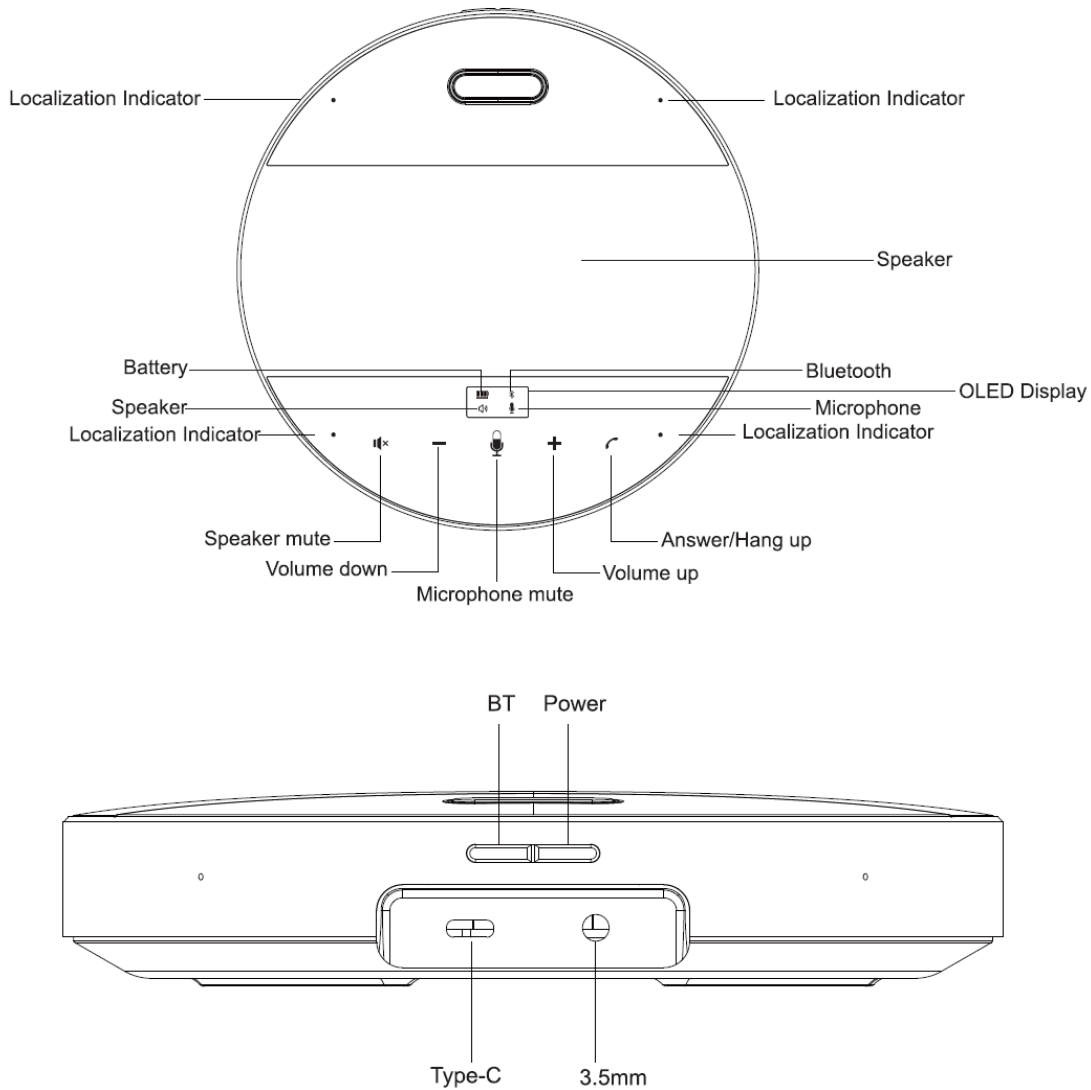


Specifications

Technical Specifications	
Bluetooth	BT 5.0
Battery	Battery Size: 8000mAH built-in lithium battery; Music: up to 17 hours Calls: up to 27 hours Charge time: 3 - 6 hours (up to 18w)
Connection Types	USB, Bluetooth, 3.5mm stereo AUX
Pickup Range	20ft (6m)
Mics	4x Digital Silicon Microphone Array
Microphone Type	Omni-directional (360° pickup)
Microphone Sensitivity	-27dBFS
Noise Reduction	Yes
Full Duplex Audio	Yes
AEC	Yes
Frequency Range	100Hz to 22kHz
Speaker	5W/120dB
Physical Connections	1 x Type-C, 1 x 3.5mm stereo audio
System Requirements	Windows 7/8/10/11 or above, Mac OS 10.7 or above, Chrome OS V29.01547 or above
Application Support	Software: Skype, FaceTime, Zoom, Microsoft Teams, Hangouts, OBS, Xsplit, etc.
Work Temperature	0° --50°C
Storage Temperature	-10° -- +60°C
Working Humidity	20% -- 85% RH (non-condensing)
Power Supply	USB: 5V DC @ 500 mA Maximum
Product Size	180mm x 180mm x 34.7mm
Product Weight	1lb



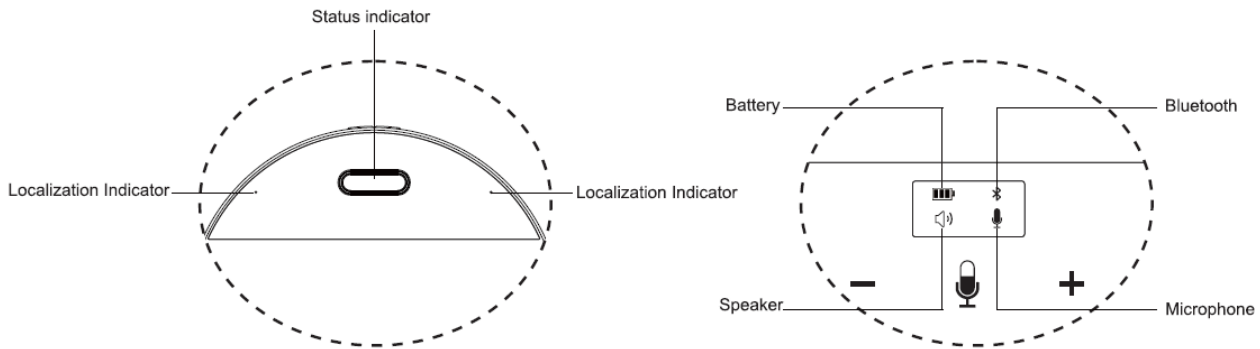
Panel Descriptions



Button	Status	Function	OLED
	Speaker mute	ON/OFF Speaker mute	Speaker Mute 16 Unmute
	Volume down	Decrease volume	5 Volume No.
	Volume up	Increase volume	16 Volume No.
	Microphone mute	ON/OFF microphone mute	Unmute Microphone Mute
	Answer/Hang up	Answer/ Hang up when calling	
	Bluetooth	Turn ON/OFF Bluetooth function	BT disconnected BT connected
	ON/OFF/MUTE/UNMUTE	ON/OFF(Long press) MUTE/UNMUTE(Short press)	Back to Home screen



LED Status

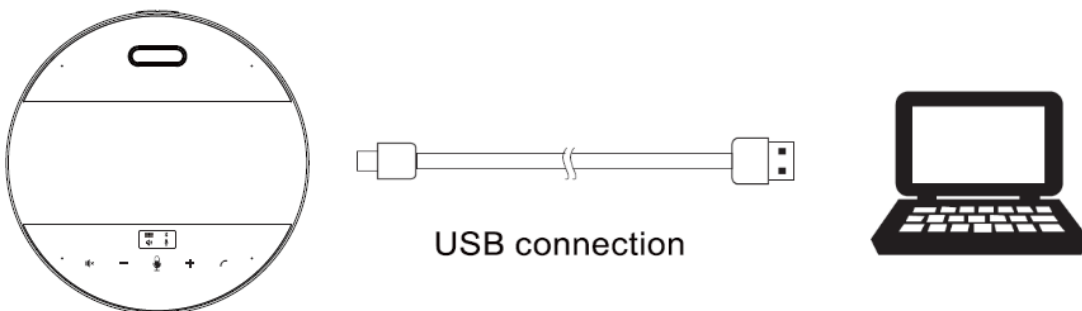


Bluetooth Status Indicator	Blue light flashing	Bluetooth is in pairing mode
	Green light on	Bluetooth is connected
Microphone Status Indicator	Red light on	Microphone is muted
	Green light on	Microphone is working normally
Localization Indicator	When the microphone detects a sound input, the indicator light in the corresponding direction will illuminate.	
Speaker Status Indicator	Green light on	Speaker working normally
	Red light on	Speaker mute

Note: When adjusting the volume, the blue light will change with the volume level. When volume is muted/off the indicator will be illuminated red. When the volume adjustment is complete, the green light will return after 2 seconds.

Connections

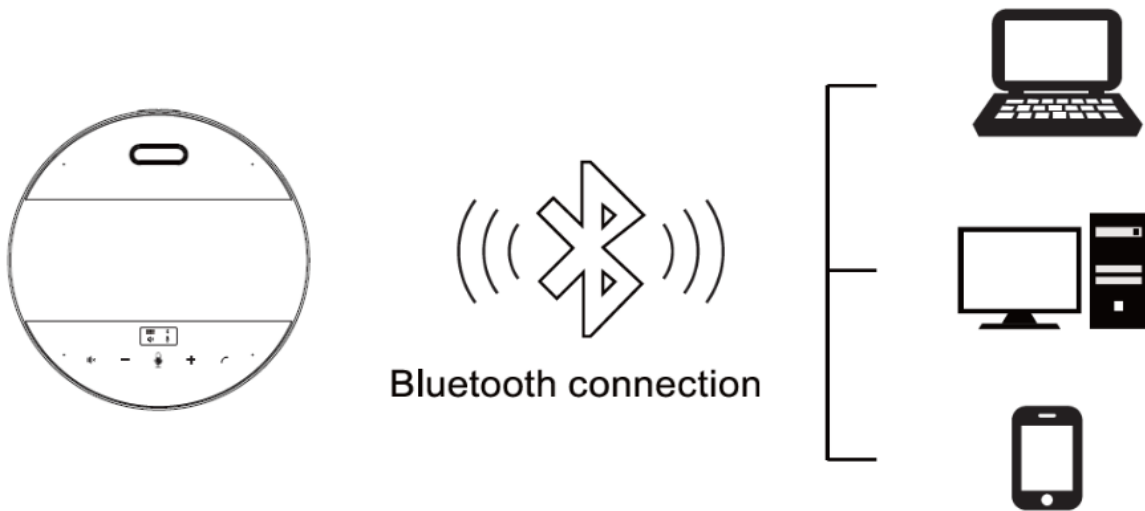
USB Connection




1. It is recommended to use the original USB cable when connecting the speakerphone to a computer or another compatible device.
2. When the device is connected to a computer, it will automatically power on and will power off automatically after 10 minutes of inactivity or if no source is detected.

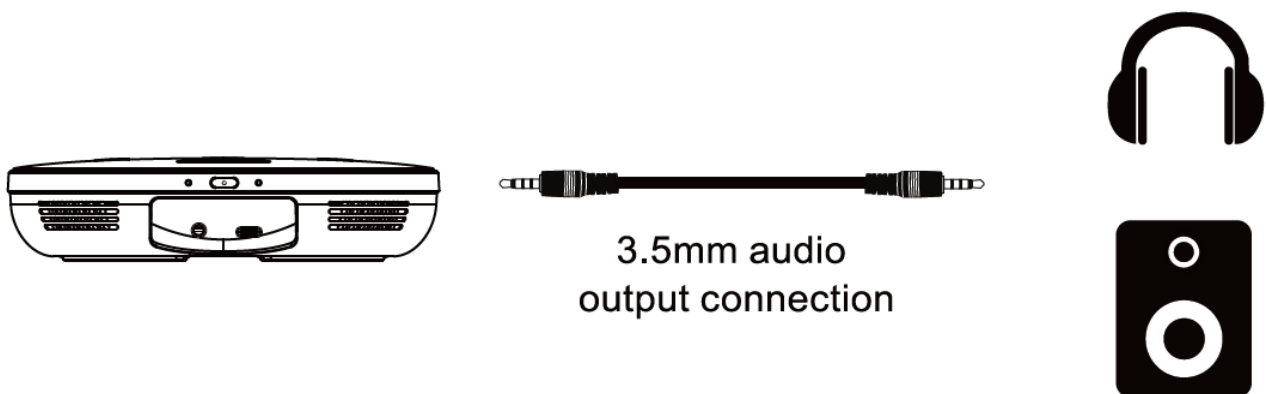


Bluetooth Connection



1. When the device is in its normal state, press and hold the  button to turn on Bluetooth pairing. The Bluetooth status indicator will begin to flash.
2. Enable Bluetooth on the device you wish to connect to the BG-OMNITALK-PRO and let it scan for the device.
3. Select the BG-OMNITALK-PRO from the list of devices to connect to. After pairing is complete, the Bluetooth status indicator will be illuminated solid.
4. Each time the BG-OMNITALK-PRO is turned on, it will automatically pair with the last connected device if it is available and in range.
5. To turn Bluetooth off, press and hold the button.

3.5mm Stereo Connection

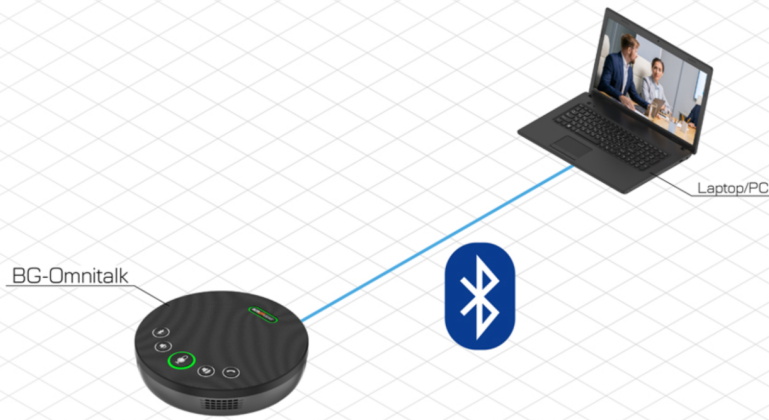


1. Connect the BG-OMNITALK-PRO to either headphones or an external audio system using a 3.5mm stereo audio cable.



Application Example

BG-Omnitalk
Connection Diagram



BZBGEAR

● USB-C



Tech Support

Have technical questions? We may have answered them already!

Please visit BZBGear's support page (bzbgear.com/support) for helpful information and tips regarding our products. Here you will find our Knowledge Base (bzbgear.com/knowledge-base) with detailed tutorials, quick start guides, and step-by-step troubleshooting instructions. Or explore our YouTube channel, BZB TV (youtube.com/c/BZBTVchannel), for help setting up, configuring, and other helpful how-to videos about our gear.

Need more in-depth support? Connect with one of our technical specialists directly:

Phone

1.888.499.9906

Email

support@bzbgear.com

Live Chat

bzbgear.com

Warranty

BZBGear Pro AV products and cameras come with a three-year warranty. An extended two-year warranty is available for our cameras upon registration for a total of five years.

For complete warranty information, please visit bzbgear.com/warranty.

For questions, please call 1.888.499.9906 or email support@bzbgear.com.



Mission Statement

BZBGear is a breakthrough manufacturer of high-quality, innovative audiovisual equipment ranging from AVoIP, professional broadcasting, conferencing, home theater, to live streaming solutions. We pride ourselves on unparalleled customer support and services. Our team offers system design consultation, and highly reviewed technical support for all the products in our catalog. BZBGear delivers quality products designed with users in mind.

Copyright

All the contents in this manual and its copyright are owned by BZBGear. No one is allowed to imitate, copy, or translate this manual without BZBGear's permission. This manual contains no guarantee, standpoint expression or other implies in any form. Product specification and information in this manual is for reference only and subject to change without notice.

All rights reserved. No reproducing is allowed without acknowledgement.