



BG-ND Series

The BG-ND series cameras combine top of the line 1080P@60Hz picture and compatibility with the widest range of video software and hardware. Advanced onboard video processing provides vivid, accurate imaging. 20x and 30x zoom options allow close-ups from a distance. The implementation of the NDI|HX protocol allows for the easy distribution of your IP stream to multiple devices and platforms simultaneously without massive bandwidth requirements.

NDI|HX provides low latency, support for multi-GPU acceleration, support for the most advanced compression formats currently available, and the ability to operate over a wireless network. There has never been a simpler way to connect video equipment together. New devices are automatically discovered and made available to all other systems on the network. Removing the need for running bulky cables makes video production, streaming, and conferencing applications easy to deploy, manage, and scale. BZBGEAR's line of NDI cameras delivers everything you need to easily create a professional quality broadcast.

Package Contents

- | | |
|---------------------------|-------------------------|
| 1 x BG-ND | 1 x RS232 Control Cable |
| 1 x 12V/1.5A Power Supply | 1 x IR Remote Control |
| 1 x User Manual | |

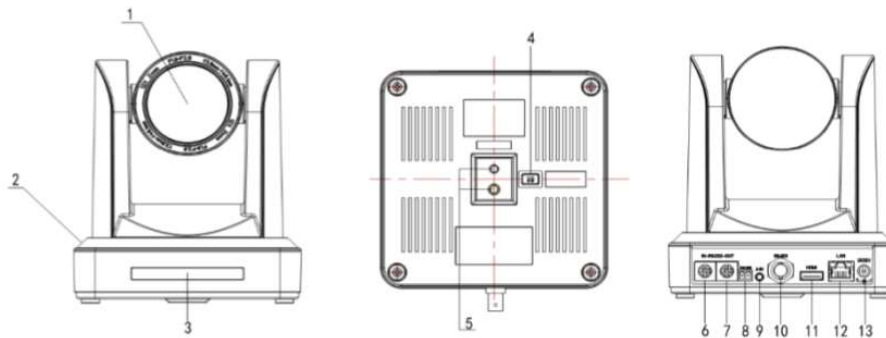


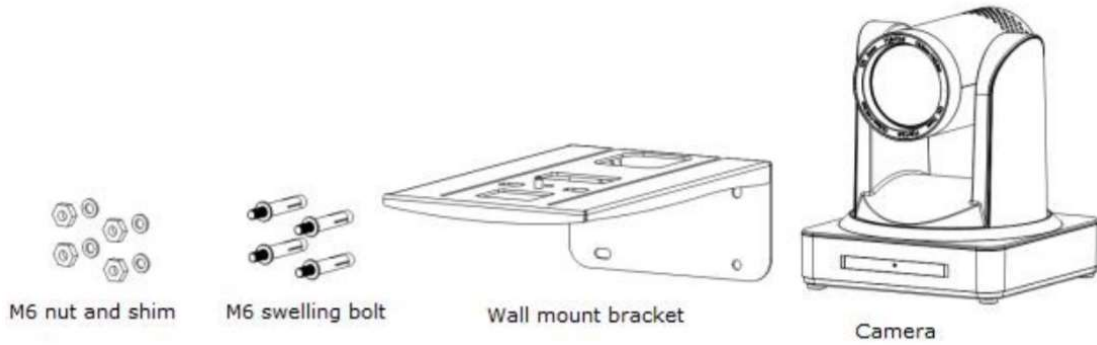
Figure 1.1 Interface

1. Camera Lens
2. Camera Base
3. Remote Controller Receiver Light
4. Bottom Dial Switch
5. Tripod Screw Hole
6. RS232 Control Interface (input)
7. RS232 Control Interface (output)
8. RS485 Input (left +, right-)
9. Audio Input Interface
10. 3G-SDI interface
11. HDMI Interface
12. 10/100M NDI/LAN Network Interface
13. DC12V Input Power Supply Socket



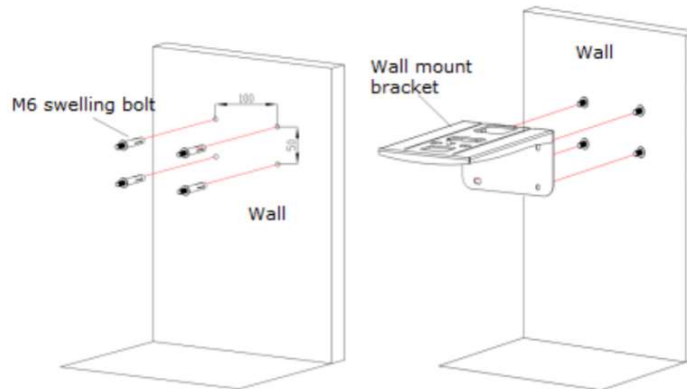
Mounting Instructions

1) Wall mount guide

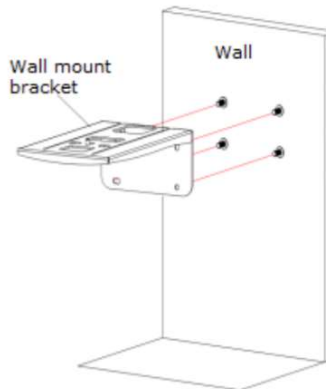


Step2

Step 1



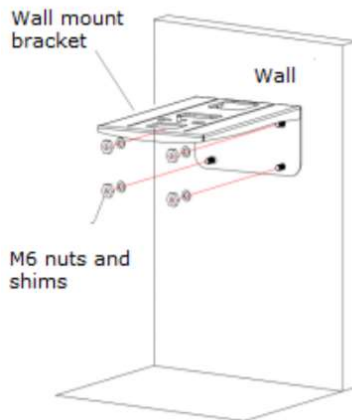
Step2



Step4

Finish

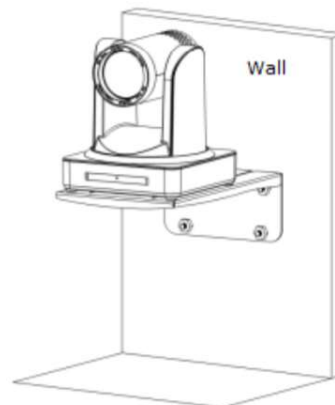
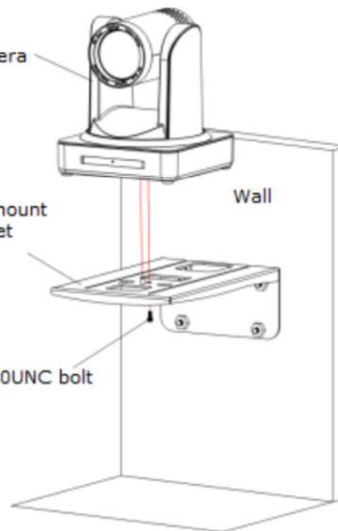
Step3



Camera

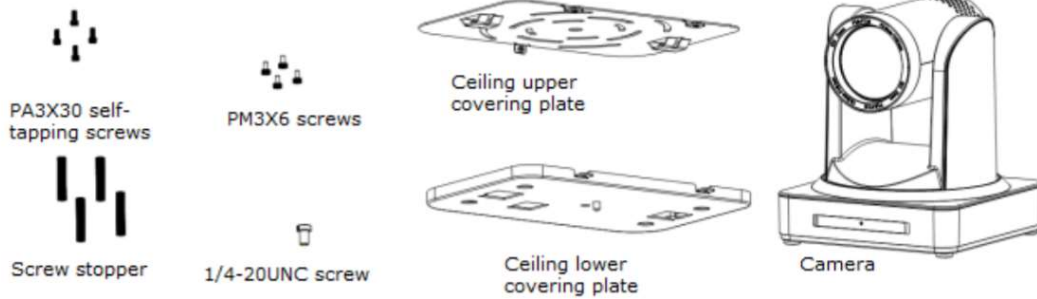
Wall mount bracket

1/4-20UNC bolt

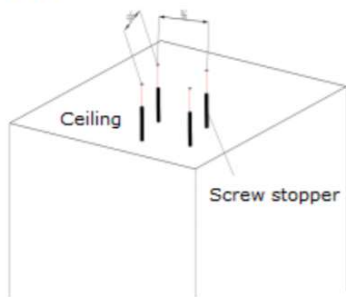




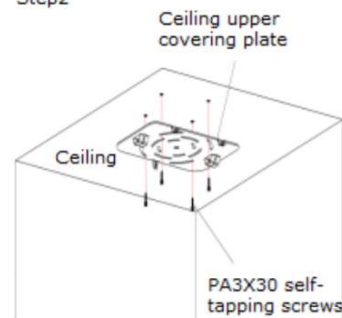
2. Ceiling mount guide



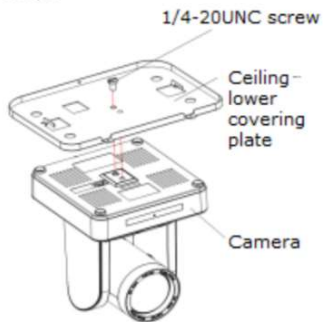
Step1



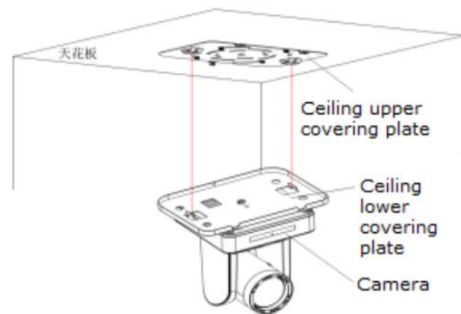
Step2



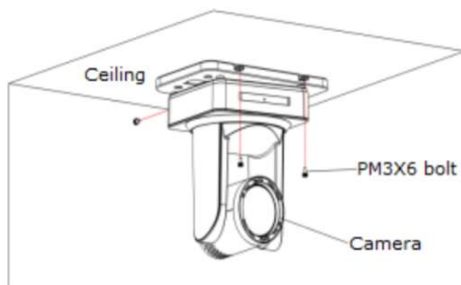
Step3



Step4



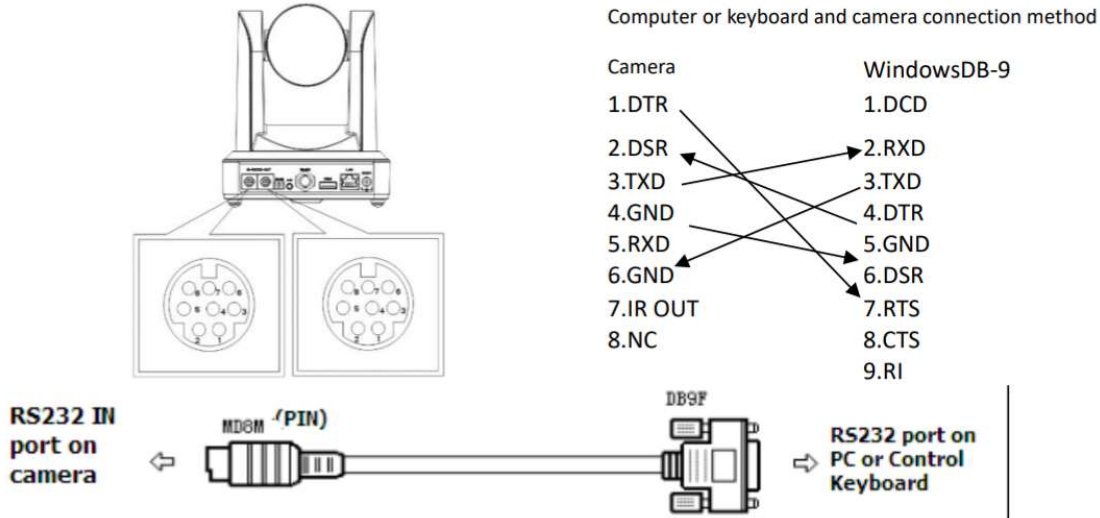
Step5



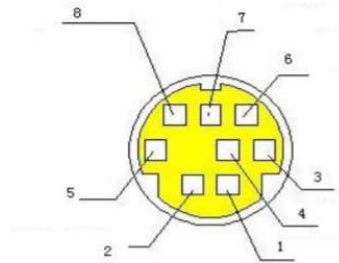


RS-232 Interface

1) RS-232C interface specification as shown below



2) RS-232 Mini-DIN 8-pin Port Definition



NO.	Port	Definition
1	DTR	Data Terminal Ready
2	DSR	Data Set Ready
3	TXD	Transmit Data
4	GND	System Ground
5	RXD	Receive Data
6	GND	System Ground
7	IR OUT	IR Commander Signal
8	NC	No Connection

WebGUI

The BG-ND camera includes a built-in WebGUI allowing for control and management of advanced features. Use the following instructions to access the WebGUI.

1. Launch a web browser and enter the IP address of the unit (default 192.168.5.163).
2. The BZBGEAR login page will appear.
3. Enter your login information (by default **Username** = admin **Password** = admin).
4. Select the Login button.

Problems connecting to your camera?

Check out our Knowledge Base at <https://bzbgear.com/knowledge-base/> for more information and step-by-step guide.



<p>My camera has no picture</p>	<p>Power is off, bad connection, incompatible resolution, camera lens is obstructed</p>	<ul style="list-style-type: none">• Check the power connection on the back of the camera• Check connections/replace cables with new ones• Use IR remote or WebGUI to change to a resolution that is compatible with your display• Check computer and program settings to ensure USB is discovered
<p>My IR remote control doesn't work</p>	<p>The camera's IR sensor is blocked, batteries are dead, sunlight is interfering with the IR signal</p>	<ul style="list-style-type: none">• Ensure you have a clear line of sight from the remote to the front of the camera base• Replace the batteries• Ensure the camera is out of direct sunlight
<p>I cannot access the camera's WebGUI</p>	<p>The camera is not connected to the network</p>	<ul style="list-style-type: none">• Check connections• Verify your camera's IP address using an IP scanning tool• Ensure your computer is connected to the same network as the camera