

BG-EXH-70UWP-W

**18Gbps HDBaseT 230ft Wall Plate Kit with USB-C/HDMI & KVM
Function Wall Plate Transmitter & HDBaseT to HDMI Receiver**

User Manual







Statement	4
Safety Precaution	4
Surge protection device recommended	4
Introduction	5
Features	5
Packing List	5
Specifications	6
Product Dimensions	8
Operation Controls and Functions	9
Connection Diagram	11
Troubleshooting	12
Tech Support	13
Warranty	13
Mission Statement	14
Copyright	15



Statement

Please read these instructions carefully before connecting, operating, or configuring this product. Please save this manual for future reference.

Safety Precaution

- To prevent damaging this product, avoid heavy pressure, strong vibration, or immersion during transportation, storage, and installation.
- The housing of this product is made of organic materials. Do not expose to any liquid, gas, or solids which may corrode the shell.
- Do not expose the product to rain or moisture.
- To prevent the risk of electric shock, do not open the case. Installation and maintenance should only be carried out by qualified technicians.
- Do not use the product beyond the specified temperature, humidity, or power supply specifications.
- This product does not contain parts that can be maintained or repaired by users. Damage caused by dismantling the product without authorization from BZBGear is not covered under the warranty policy.
- Installation and use of this product must strictly comply with local electrical safety standards.

Surge protection device recommended

This product contains sensitive electrical components that may be damaged by electrical spikes, surges, electric shocks, lightning strikes, etc. Use of surge protection systems is highly recommended to protect and extend the life of your equipment.



Introduction

Introducing the BG-EXH-70UWP-W 18Gbps HDBaseT 230ft Wall Plate Kit, an advanced solution for high-definition signal distribution and transmission. Featuring a USB-C/HDMI & KVM Function Wall Plate Transmitter and an HDBaseT to HDMI Receiver, this kit delivers unparalleled performance and versatility for professional AV installations.

Encased in a sleek US one-gang enclosure tailored for Decora-style wall plate openings, the transmitter serves as a 2x1 switcher and HDBaseT transmitter, supporting HDMI and USB-C inputs for seamless integration with a wide range of AV devices. With support for resolutions up to 4K@60Hz 4:4:4, this kit ensures exceptional visual fidelity and clarity. Moreover, the transmitter can be conveniently powered via Power Over Ethernet (POE) from the receiver or other HDBaseT-equipped devices, enhancing flexibility and ease of installation.

Features

- Compliant with HDMI 2.0b, HDCP 2.2, and DisplayPort 1.2a standards (Adapter required for Display Port).
- Supports a video bandwidth of 18Gbps.
- Capable of displaying video resolutions up to 4K@60Hz 4:4:4.
- The HDBaseT output can extend video transmission distances up to 230ft / 70m for 1080P or 131ft / 40m for 4K using a single CAT6/6a/7 cable.
- Supports HDR10 and HDR10+ formats.
- Audio formats supported include Dolby Atmos, TrueHD, Digital+, Digital; DTS X, HD Master Audio, HD High-Resolution Audio, 5.1; PCM 2-8Ch.
- Provides HDMI and USB-C input options.
- Designed with a US one-gang enclosure suitable for Decora-style wall plate openings.
- Input signal selection supports both automatic and manual modes.
- Features USB 2.0 extension capabilities with the Receiver.
- Supports POE function (only from Receiver to Transmitter).
- Includes a USB-C charging port.

Packing List

- 1× 18Gbps HDBaseT 70M with USB-C/HDMI & KVM Function Wall Plate Transmitter
- 1× HDBaseT to HDMI receiver
- 1× User Manual



Specifications

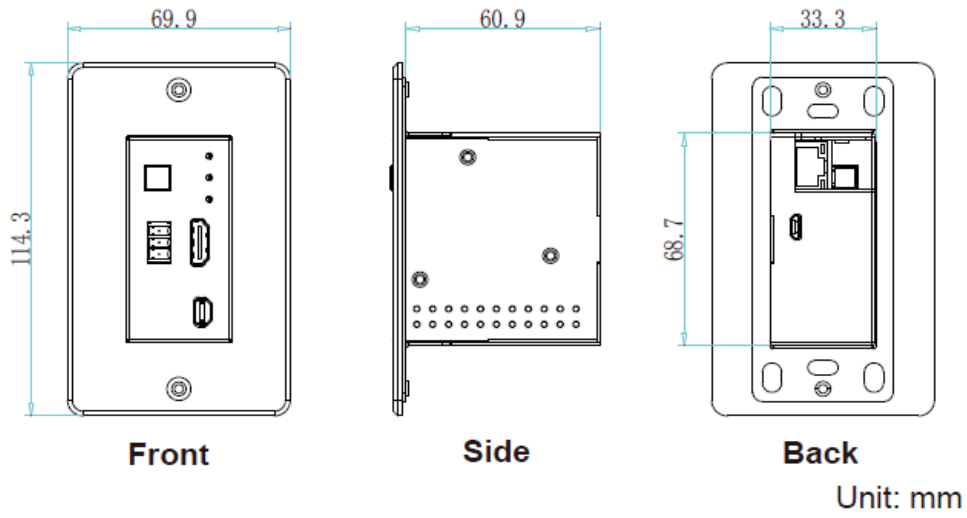
Technical	
HDMI Compliance	HDMI 2.0b, DisplayPort 1.2a (Adapter required for Display Port)
HDCP Compliance	HDCP 2.2
Video Bandwidth	18 Gbps
Video Resolution	4096x2160@24/25/30/50/60Hz, 3840x2160@24/25/30/50/60Hz, 2048x1080p, 1080p@23.98/24/25/29.97/30/50/59.94/60Hz, 1080i@50/59.94/60Hz, 720p@50/59.94/60Hz, 576p, 576i, 480p, 480i
Color Space	RGB, YCbCr 4:4:4, YCbCr 4:2:2, YUV 4:2:0
Color Depth	8/10/12-bit
HDR	HDR10, HDR10+
HDMI Audio Formats	Dolby Atmos, TrueHD, Digital+, Digital; DTS X, HD Master Audio, HD High Resolution Audio, 5.1; PCM 2-8Ch
Transmission Distance	Max distance (1080p) : 230ft / 70m over CAT6/6a/7 Max distance (4K): 131ft / 40m over CAT6/6a/7
ESD Protection	Human body model – ±8kV (Air-gap discharge) & ±4kV (Contact discharge)
Connection	
Transmitter	Inputs: 1x HDMI Type A [19-pin female] 1x USB-C Outputs: 1x HDBaseT Out [RJ45, 8-pin female] 1x USB-C (only for charging) Controls: 1x USB-B [Micro USB, Update port]
Receiver	Inputs: 1x HDMI IN [Type A, 19-pin female] 1x HDBaseT IN [RJ45, 8-pin female] Outputs: 1x HDMI OUT [Type A, 19-pin female] 1x AUDIO OUT [Phoenix jack] Control: 2x USB [USB A TYPE] 1x FW [Micro USB, Update port]
Mechanical	
Housing	Metal Enclosure
Color	White



Dimensions (W x D x H)	Wall plate: 1.31in x 2.6in x 2.7in [33.3mm x 65.7mm x 68.7mm] Faceplate: 2.8in x 0.12in x 4.5in [69.9mm x 3mm x 114.3mm] Receiver: 7.9in x 3.9in x 0.91in [200mm x 98mm x 23mm]
Weight	Wall plate: 0.43 lbs [196g], Receiver: 1.1 lbs [511g]
Power Supply	POE (only from Receiver to Transmitter)
Power Consumption	Wall plate: 9W (Max), Receiver: 11W (Max)
Operating Temperature	32 - 104°F / 0 - 40°C
Storage Temperature	-4 - 140°F / -20 - 60°C
Relative Humidity	20 - 90% RH (no condensation)



Product Dimensions

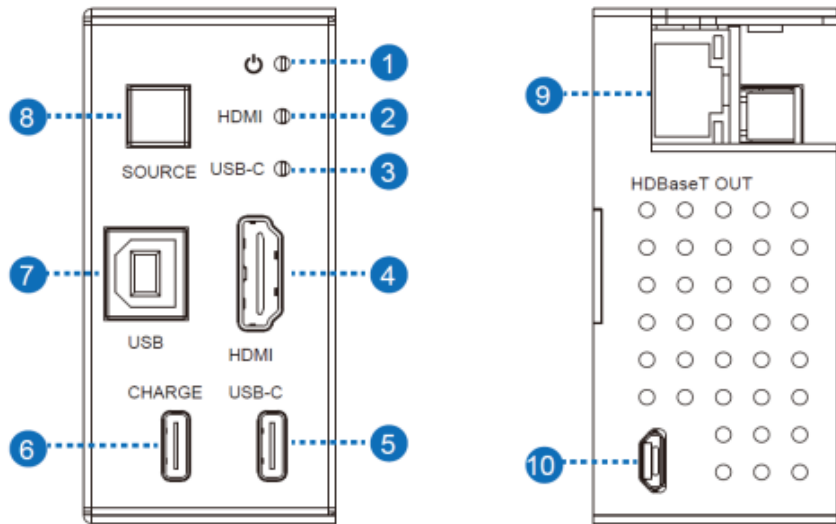




Operation Controls and Functions

Front and Rear Panel

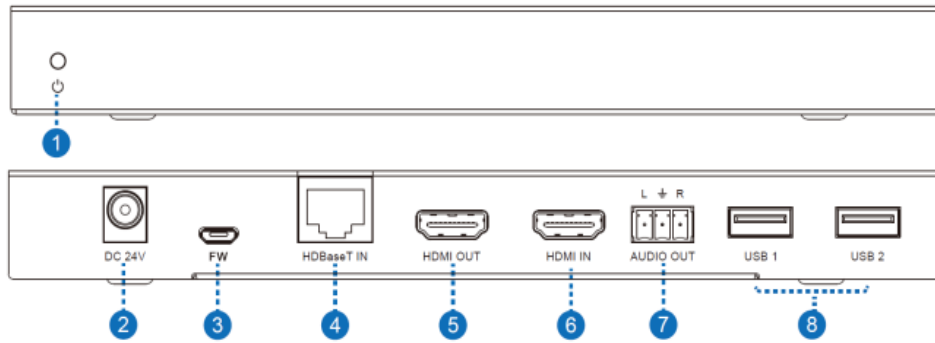
Transmitter Panel



No.	Name	Function Description
1	Power LED	The power LED indicator will illuminate in green when the product is powered on, and red when the product is on standby.
2	HDMI LED	When the HDMI input port is active and the HDMI signal is detected, the green LED will be on.
3	USB-C LED	When the USB-C input port is active and USB-C signal is detected, the green LED will be on.
4	HDMI port	HDMI input port, connect to HDMI source device.
5	USB-C port	(1) USB-C signal input port. (2) Charging port for devices with USB-C port.
6	CHARGE port	Connect this port to power supply, then the USB-C port will power the connected device.
7	USB-B port	Connect to the computer's USB port.
8	SOURCE button	Used to switch HDMI / USB-C input signal.
9	HDBaseT OUT	Connect to the HDBaseT IN port of Receiver with a CAT6/6a/7 cable.
10	Micro-USB	Firmware update port.



Receiver Panel



No.	Name	Function Description
1	Power LED	When the product is powered on, the red LED indicator will be on.
2	DC 24V	DC 24V power supply port.
3	FW	Firmware update port.
4	HDBaseT IN	Connect to the HDBaseT OUT port of Transmitter with a CAT6/6a/7 cable.
5	HDMI OUT	HDMI output port, connect to HDMI display device.
6	HDMI IN	HDMI input port, connect to HDMI source device.
7	AUDIO OUT	Analog audio output port.
8	USB port	Two USB ports for KVM function.

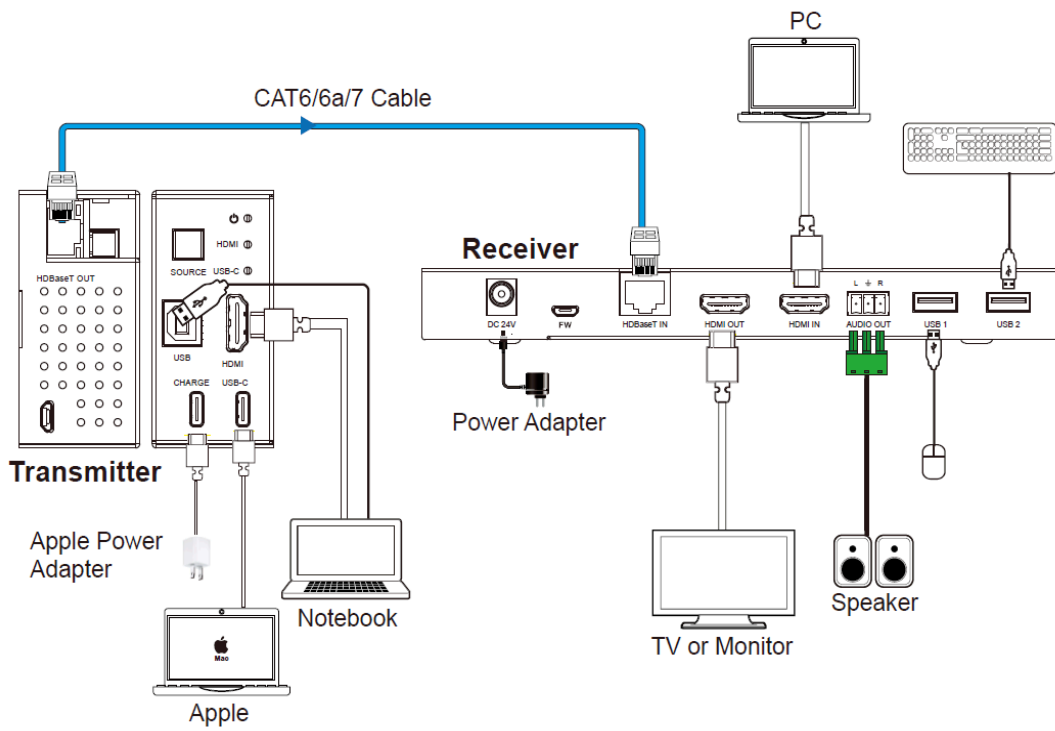
Note:

This transmitter supports automatic/manual mode for source signal input. In manual switching mode, press the SOURCE button to select HDMI/ USB-C input source.

In automatic switching mode, the last connected or the currently connected source signal will be selected automatically; When both HDMI and USB-C ports are connected to the active signal, HDMI signal input is preferred; When both HDMI and USB-C ports are not connected to active signal, it will switch to the source signal of the Receiver.



Connection Diagram





Troubleshooting

Problems	Causes	Solutions
No Power / All LED off	Power supply not connected, connected fully, or wrong power supply.	Check if the power supply is connected correctly and the output voltage value is within recommended specifications.
No sound or sound issues	The HDMI connection is faulty, the audio format is not supported by the displays, or the source player is set to another port for audio output	Check if the HDMI cables are connected correctly. Check if the audio format is supported by the display and that a user has not changed the supported audio format on the player's audio output. Ensure output settings from the HDMI source device as set correctly.
No picture or picture flickers	The HDMI cable may be faulty or the category cable quality is faulty.	Check if the HDMI and category cable connections are correct and undamaged. Change to another good working HDMI cable or category cable (CAT6 or better cable is recommended).



Tech Support

Have technical questions? We may have answered them already!

Please visit BZBGear's support page (bzbgear.com/support) for helpful information and tips regarding our products. Here you will find our Knowledge Base (bzbgear.com/knowledge-base) with detailed tutorials, quick start guides, and step-by-step troubleshooting instructions. Or explore our YouTube channel, BZB TV (youtube.com/c/BZBTVchannel), for help setting up, configuring, and other helpful how-to videos about our gear.

Need more in-depth support? Connect with one of our technical specialists directly:

Phone	Email	Live Chat
1.888.499.9906	support@bzbgear.com	bzbgear.com

Warranty

BZBGear Pro AV products and cameras come with a three-year warranty. An extended two-year warranty is available for our cameras upon registration for a total of five years.

For complete warranty information, please visit bzbgear.com/warranty.

For questions, please call 1.888.499.9906 or email support@bzbgear.com.



Mission Statement

BZBGear is a breakthrough manufacturer of high-quality, innovative audiovisual equipment ranging from AVoIP, professional broadcasting, conferencing, home theater, to live streaming solutions. We pride ourselves on unparalleled customer support and services. Our team offers system design consultation, and highly reviewed technical support for all the products in our catalog. BZBGear delivers quality products designed with users in mind.



Copyright

All the contents in this manual and its copyright are owned by BZBGear. No one is allowed to imitate, copy, or translate this manual without BZBGear's permission. This manual contains no guarantee, standpoint expression or other implies in any form. Product specification and information in this manual is for reference only and subject to change without notice.

All rights reserved. No reproducing is allowed without acknowledgement.