

BG-AUD-TCS

Stereo/Toslink/Coax Audio Extender Kit up to 950ft

User Manual







TABLE OF CONTENTS

Statement	4
Safety Precaution	4
Introduction	5
Features	5
Packing List	5
Technical Specifications	6
Operation Controls and Functions	6
Application Example	7
Tech Support	8
Limited Product Warranty Terms	8
Mission Statement	8
Copyright	8



Statement

Please read these instructions carefully before connecting, operating, or configuring this product. Please save this manual for future reference.

Safety Precaution

- To prevent damaging this product, avoid heavy pressure, strong vibration, or immersion during transportation, storage, and installation.
- The housing of this product is made of organic materials. Do not expose to any liquid, gas, or solids which may corrode the shell.
- Do not expose the product to rain or moisture.
- Unplug this device during lightning storms
- Clean only with a soft dry microfiber cloth.
- To prevent the risk of electric shock, do not open the case. Installation and maintenance should only be carried out by qualified technicians.
- Do not use the product beyond the specified temperature, humidity, or power supply specifications.
- This product does not contain parts that can be maintained or repaired by users. Damage caused by dismantling the product without authorization from BZBGear is not covered under the warranty policy.
- Installation and use of this product must strictly comply with local electrical safety standards.
- Only use accessories specified by the manufacture
- Product specifications may be subject to technical upgrades without further notice
- Do not twist or pull by force ends of the optical cable. It can cause malfunction.
- Do not hot plug when it is working.



Introduction

The BG-AUD-TCS is an audio extender kit that includes a transmitter and receiver. It is designed to extend the stereo audio signals up to 170m while TOSLINK and digital COAX audio signals can go up to 290m over a CAT cable.

Features

- Three audio inputs can be switched and selected: TOSLINK/COAX/Stereo.
- Three audio synchronous outputs: TOSLINK, COAX & RCA (L+R).
- The transmitter is powered by the receiver 12v/DC via PoC technology.
- The transmission distance of Stereo audio signal can up to 170m and the TOSLINK, COAX audio signal up to 290m.

Packing List

- | | |
|--------------------------------|------------------------|
| • 1x Transmitter | • 8x Plastic Cushions |
| • 1x Receiver | • 1x User Manual |
| • 1x Power Adaptor (12V DC,1A) | • 1x Quick Start Guide |
| • 4x Mounting Ears | • 8x Screws |

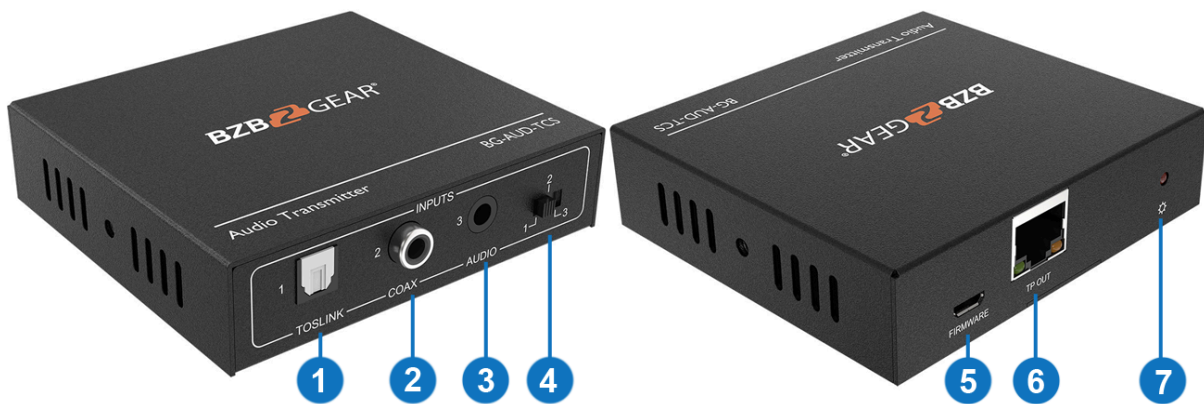


Technical Specifications

Connections	Transmitter	Receiver
Input	TOSLINK, COAX or AUDIO	TP IN
Output	TP OUT	TOSLINK, COAX & RCA (L+R)
Technical		
Audio Format	TOSLINK & COAX: PCM/Dolby/DTS; AUDIO: Stereo	
Sound Channel	TOSLINK & COAX: 2.0-7.1	
Frequency Response	20 Hz to 20 kHz, ± 3 dB	
Sample Rate	TOSLINK & COAX: 48k/96k/192k 16bit/18bit/24bit	
Transmission Distance	Stereo: Up to 170m (CAT5e/6/7) TOSLINK/COAX: Up to 290m (CAT5e/6/7)	
Power Supply	Input: 100VAC~240VAC, 50/60Hz; Output: 12VDC, 1A	
Mechanical		
Power Consumption	2.5W (Max)	
Work Temperature	-10°C ~ +55°C	
Humidity	10% ~ 90%	
Net Weight	110g	119g
Dimensions (WxHxD)	88mm x 80mm x 21.5mm	

Operation Controls and Functions

Transmitter Panel



- 1. TOSLINK:** digital audio input port, connects to audio source.
- 2. COAX:** digital audio input port, connects to audio source.
- 3. AUDIO:** 3.5mm stereo mini audio input port, connects to audio source.
- 4. DIP:** DIP switcher for selecting audio input source.
- 5. Firmware:** Micro USB port for updating firmware.
- 6. TP OUT:** RJ45 ports, connect to the “TP IN” port of Receiver.
- 7. Power Led:** Red LED power indicator.

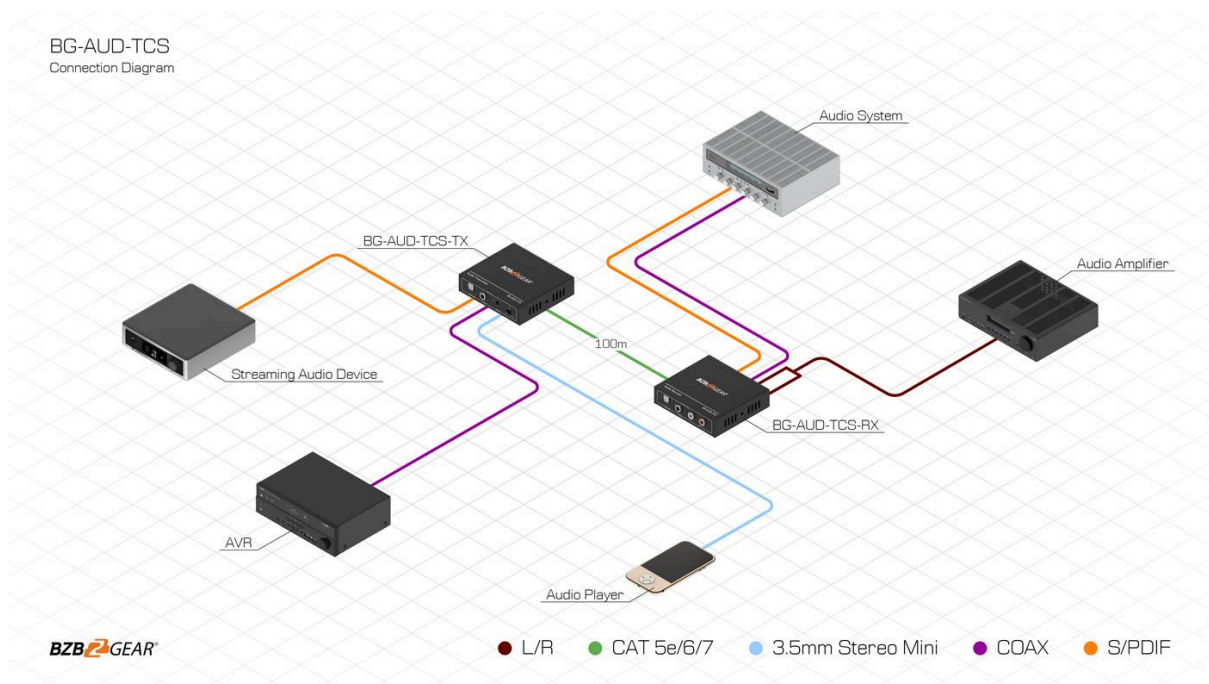


Receiver Panel



1. **TOSLINK:** digital audio output port.
2. **COAX:** digital audio output port.
3. **RCA L:** Stereo RCA audio output ports (left).
4. **RCA R:** Stereo RCA audio output ports (right).
5. **Firmware:** Micro USB port for updating firmware.
6. **TP IN:** RJ45 ports, connect to the “TP OUT” port of Transmitter.
7. **DC 12V:** DC 12V power, connects to power supply.
8. **Power Led:** Red LED power indicator.

Application Example





Tech Support

Have technical questions? We may have answered them already!

Please visit BZBGear's support page (bzbgear.com/support) for helpful information and tips regarding our products. Here you will find our Knowledge Base (bzbgear.com/knowledge-base) with detailed tutorials, quick start guides, and step-by-step troubleshooting instructions. Or explore our YouTube channel, BZB TV (youtube.com/c/BZBTVchannel), for help setting up, configuring, and other helpful how-to videos about our gear.

Need more in-depth support? Connect with one of our technical specialists directly:

<u>Phone</u>	<u>Email</u>	<u>Live Chat</u>
1.888.499.9906	support@bzbgear.com	bzbgear.com

Limited Product Warranty Terms

Pro Line: 5-year warranty from the date of purchase for AV/Broadcasting products bought on or after August 1, 2024.

Essential Line: 3-year warranty from the date of purchase for AV/Broadcasting products bought on or after August 1, 2024.

Cables: Lifetime Limited Product Warranty.

For complete warranty information, please visit bzbgear.com/warranty.

For questions, please call 1.888.499.9906 or email support@bzbgear.com.

Mission Statement

BZBGear is a breakthrough manufacturer of high-quality, innovative audiovisual equipment ranging from AVoIP, professional broadcasting, conferencing, home theater, to live streaming solutions. We pride ourselves on unparalleled customer support and services. Our team offers system design consultation, and highly reviewed technical support for all the products in our catalog. BZBGear delivers quality products designed with users in mind.

Copyright

All the contents in this manual and its copyright are owned by BZBGear. No one is allowed to imitate, copy, or translate this manual without BZBGear's permission. This manual contains no guarantee, standpoint expression or other implies in any form. Product specification and information in this manual is for reference only and subject to change without notice.

All rights reserved. No reproducing is allowed without acknowledgement.