



# BG-SpeakP300-C

**MedBridge USB/Bluetooth Pro Speakerphone with Chain-Link  
Expansion for Medical Carts and Workstations**

## User Manual







## TABLE OF CONTENTS

Statement	4
Safety Precaution	4
Introduction	5
Features	5
Packing List	6
Specifications	7
Operation Controls and Functions	8
Connection and Operations	9
Connection	9
Operations	10
Connection Diagram	12
Troubleshooting	13
Tech Support	14
Limited Product Warranty Terms	14
Mission Statement	14
Copyright	14



## Statement

---

Please read these instructions carefully before connecting, operating, or configuring this product. Please save this manual for future reference.

## Safety Precaution

---

- To prevent damaging this product, avoid heavy pressure, strong vibration, or immersion during transportation, storage, and installation.
- The housing of this product is made of organic materials. Do not expose to any liquid, gas, or solids which may corrode the shell.
- Do not expose the product to rain or moisture.
- To prevent the risk of electric shock, do not open the case. Installation and maintenance should only be carried out by qualified technicians.
- Do not use the product beyond the specified temperature, humidity, or power supply specifications.
- This product does not contain parts that can be maintained or repaired by users. Damage caused by dismantling the product without authorization from BZBGear is not covered under the warranty policy.
- Installation and use of this product must strictly comply with local electrical safety standards.



## Introduction

---

The BG-SpeakP300-C is a professional meeting speakerphone designed to provide high-quality audio capture and playback for conferencing environments. It supports both USB and Bluetooth connections, allowing seamless integration with computers, mobile devices, and unified communication platforms. The device operates as a standard USB Audio Class (UAC) peripheral, enabling driver-free plug-and-play operation across supported operating systems.

Equipped with four omnidirectional digital microphones, the speakerphone delivers 360-degree voice pickup with a coverage radius of up to 5 meters. Integrated audio processing technologies—including acoustic echo cancellation (AEC), automatic gain control (AGC), noise suppression (ANS), and full duplex audio—ensure clear voice transmission and stable two-way communication during meetings.

For expanded room coverage, the BG-SpeakP300-C supports daisy-chain connectivity of up to nine identical speakerphones using dedicated USB Mini ports. In daisy-chain mode, audio, control functions, and LED indicators are synchronized across all connected units. The system supports standalone and daisy-chain operation modes and is suitable for small to medium-sized conference rooms requiring scalable audio coverage.

## Features

---

- **Daisy-Chain Expansion:** Supports cascading up to nine speakerphones to extend microphone pickup range and speaker output coverage.
- **Dual Connectivity Options:** Provides USB Type-C wired connection and Bluetooth 5.0 wireless connectivity.
- **Omnidirectional Microphone Array:** Four digital microphones deliver 360-degree voice pickup with up to a 5-meter range.
- **Integrated Audio Processing:** Supports AEC, AGC, noise suppression, and full-duplex audio for enhanced call clarity.
- **USB Audio Class Support:** Enables driver-free plug-and-play operation with compatible host devices.
- **Standalone and Daisy-Chain Modes:** Operates independently or as part of a multi-unit speakerphone system.
- **Synchronized Controls and LEDs:** Touch controls and LED indicators are synchronized across all units in daisy-chain mode.
- **Touch Control Interface:** Capacitive touch buttons provide control for mute, volume, power, and Bluetooth pairing.
- **Broad Operating System Compatibility:** Compatible with Windows 7/10/11 and macOS 10.10 or later.
- **Bluetooth Device Compatibility:** Supports wireless connection to computers, tablets, and mobile devices.



- **Audio Source Priority Switching:** Automatically prioritizes the first active audio source between USB and Bluetooth.
- **Power Sharing Capability:** One power adapter can supply up to three speakerphones in daisy-chain configurations.
- **Compact Tabletop Design:** Low-profile form factor suitable for conference table installation.
- **UC Application Compatibility:** Designed for use with common unified communication applications.

## Packing List

---

- 1 × BG-SpeakP300-C Meeting Speakerphone
- 1 × DC 12V Power Adapter
- 1 × USB Type-A to USB Type-C Cable
- 1 × USB Mini Cable
- 1 × User Manual



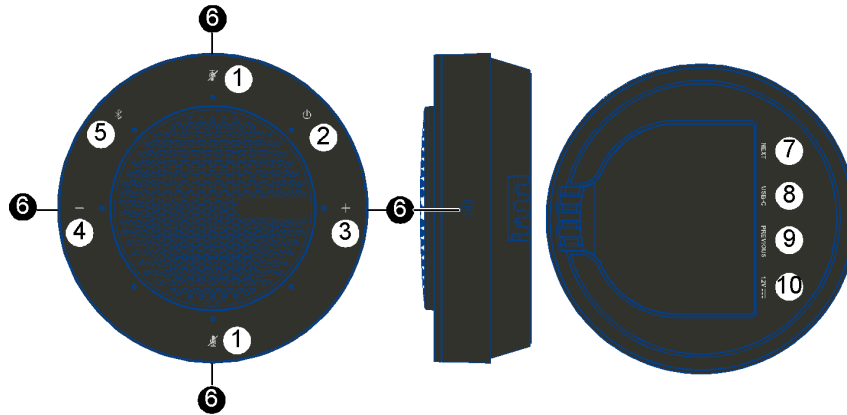
## Specifications

<b>TECHNICAL SPECIFICATIONS</b>	
Bluetooth	Bluetooth 5.0
Speaker Output	3W
Microphone Array	4× omnidirectional digital microphones
Microphone Pickup Range	Up to 5 meters
Audio Processing	AEC, AGC, ANS, full duplex
USB Protocol	USB Audio Class (UAC)
Daisy-Chain Ports	2 × USB Mini (NEXT / PREVIOUS)
Power Input	12V DC
USB Interface	USB Type-C (master unit only)
Compatible Operating Systems	Windows 7/10/11, MacOS 10.10 or later
<b>GENERAL SPECIFICATIONS</b>	
Operating Temperature	32°F to 104°F / 0°C to 40°C
Storage Temperature	-4°F to 158°F / -20°C to 70°C
Humidity	10% to 90%, non-condensing
ESD Protection	±8kV (Air-gap discharge), ±4kV (Contact discharge)
Power Consumption (Max)	6W
Product Dimensions	Ø123mm × 44mm (Ø4.84" × 1.73")
Product Weight	0.68lb / 0.31kg (net)



## Operation Controls and Functions

### Front and Rear Panel



No.	Name	Description
1	Mute/Unmute	Press to mute or unmute all microphones.
2	Power	Hold for approximately 2 seconds to reboot the device.
3	Volume +	Press to increase speaker volume.
4	Volume -	Press to decrease speaker volume.
5	Bluetooth	Press to enter pairing mode, exit connection mode, or disconnect Bluetooth.
6	Mic	Microphone input array area.
7	NEXT	USB Mini port used to connect to the PREVIOUS port of the next speakerphone in daisy-chain mode.
8	TYPE-C	USB Type-C port for connection to host device (master unit only active).
9	PREVIOUS	USB Mini port used to connect to the NEXT port of the previous speakerphone in daisy-chain mode.
10	12V	DC power input port for the provided power adapter.



## Connection and Operations

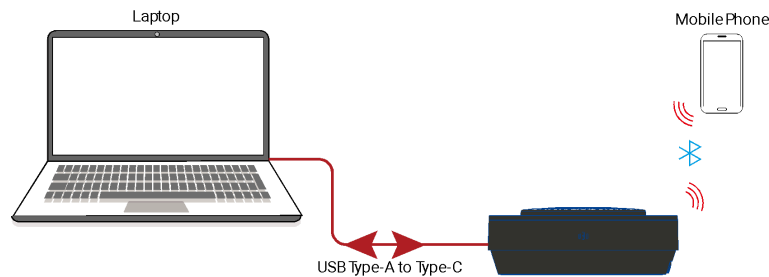
The BG-SpeakP300-C supports flexible deployment through **USB Type-C or Bluetooth connectivity**, and can be used in either **Standalone Mode** or **Daisy-Chain Mode** depending on room size and coverage requirements. The system is designed for plug-and-play operation and is automatically recognized by compatible operating systems without the need for additional drivers.

In **Standalone Mode**, a single speakerphone connects directly to a host device via USB or Bluetooth. In **Daisy-Chain Mode**, multiple units are linked together using the NEXT and PREVIOUS USB Mini ports, allowing expansion of audio coverage for larger meeting environments. The master unit connects to the host device, while additional units extend audio pickup and playback range.

Power is supplied via the included 12V adapter. In daisy-chain configurations, up to three speakerphones can be powered from a single adapter. For systems exceeding three units (up to a maximum of nine), additional power adapters must be connected accordingly. When connected via USB, the device is recognized by the system as “SPK300” for both speaker and microphone functions, and Bluetooth devices will also appear under the same name in pairing lists.

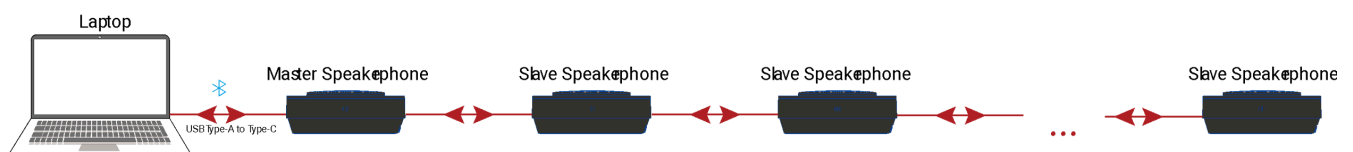
## Connection

### Standalone Mode Connection



- Connect the BG-SpeakP300-C to a host device using the included USB Type-C cable or via Bluetooth pairing.
- Plug the power adapter into the 12V DC input to power on the device.
- Once powered, the device will automatically initialize and be ready for use.

### Daisy-Chain Mode Connection





- Connect the master speakerphone to the host device using USB Type-C.
  - Connect additional speakerphones using the NEXT (outgoing) and PREVIOUS (incoming) USB Mini ports.
  - Ensure proper daisy-chain order from master to last unit.
  - Connect power according to system size (up to 3 units per power adapter).
  - Power on all units; LEDs will synchronize automatically across the chain.
- 

## Operations

### Power On / Off

- **Power On:** Connect the power adapter. The device will automatically boot, indicated by a brief LED animation followed by a solid white power LED.
- **Power Off:** Disconnect the power adapter to shut down the device.

### Bluetooth Pairing

- Press the Bluetooth button once to enter pairing mode (blue LED flashing).
- Select “SPK300” from the Bluetooth device list on the host device.
- Once connected, the Bluetooth LED will remain solid blue.
- Press the Bluetooth button again to disconnect or re-enter pairing mode.

### USB Connection Operation

- Connect via USB Type-C to enable automatic detection as speaker and microphone devices.
- No driver installation is required (USB Audio Class compliant).

### Audio Source Priority

- When both USB and Bluetooth are active, the system prioritizes the first connected source.
- If the active source is paused or disconnected for approximately 3 seconds, the system will switch to the next available source.

### Mute / Unmute

- Press the Mute button to toggle microphone mute.
- When muted, all LEDs turn red.
- When unmuted, LEDs return to previous status.
- Default state on power-up is unmuted.



## Volume Control

- Press **Volume +** to increase output level.
- Press **Volume -** to decrease output level.
- LED indicators display volume changes in a circular progression.

## Reboot

- Hold the Power button for approximately 2 seconds to reboot the device.

## Daisy-Chain Operation Notes

- All control functions (mute, volume, Bluetooth, and LEDs) are synchronized across connected units.
- Only the master unit connects to the host device.
- Slave units function as extended audio endpoints only.

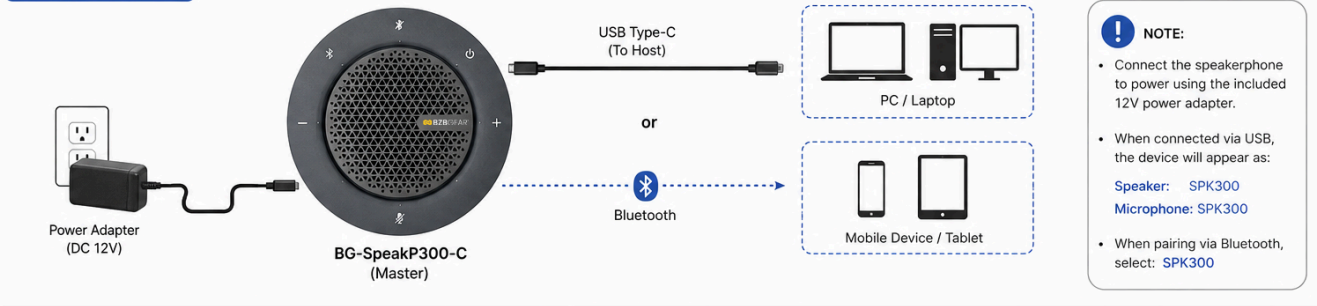


# Connection Diagram

## CONNECTION DIAGRAM

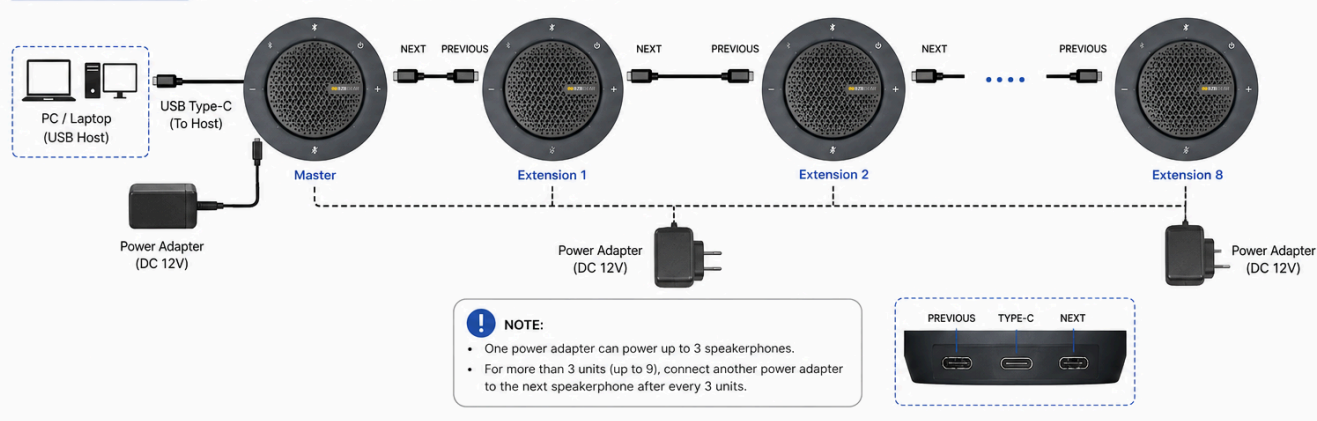
The BG-SpeakP300-C supports USB Type-C and Bluetooth connections. It can be used in Standalone Mode or Daisy-Chain Mode to expand audio coverage.

### 1. STANDALONE MODE



### 2. DAISY-CHAIN MODE

Connect up to 9 speakerphones (1 master + up to 8 extensions)





## Troubleshooting

Problems	Causes	Solutions
No Power / All LED off	Power supply not connected, connected fully, or wrong power supply.	Check if the power supply is connected correctly and the output voltage value is within recommended specifications.
No sound or sound issues	The HDMI connection is faulty, the audio format is not supported by the displays, or the source player is set to another port for audio output	Check if the HDMI cables are connected correctly. Check if the audio format is supported by the display and that a user has not changed the supported audio format on the player's audio output. Ensure output settings from the HDMI source device as set correctly.
No picture or picture flickers	The HDMI cable may be faulty or the category cable quality is faulty.	Check if the HDMI and category cable connections are correct and undamaged. Change to another good working HDMI cable or category cable (CAT6 or better cable is recommended).



## Tech Support

---

Have technical questions? We may have answered them already!

Please visit BZBGear's support page ([bzbgear.com/support](https://bzbgear.com/support)) for helpful information and tips regarding our products. Here you will find our Knowledge Base ([bzbgear.com/knowledge-base](https://bzbgear.com/knowledge-base)) with detailed tutorials, quick start guides, and step-by-step troubleshooting instructions. Or explore our YouTube channel, BZB TV ([youtube.com/c/BZBTVchannel](https://youtube.com/c/BZBTVchannel)), for help setting up, configuring, and other helpful how-to videos about our gear.

Need more in-depth support? Connect with one of our technical specialists directly:

<b>Phone</b>	<b>Email</b>	<b>Live Chat</b>
1.888.499.9906	<a href="mailto:support@bzbgear.com">support@bzbgear.com</a>	<a href="https://bzbgear.com">bzbgear.com</a>

## Limited Product Warranty Terms

---

Pro Line: 5-year warranty from the date of purchase for AV/Broadcasting products bought on or after August 1, 2024.

Essential Line: 3-year warranty from the date of purchase for AV/Broadcasting products bought on or after August 1, 2024.

Cables: Lifetime Limited Product Warranty.

For complete warranty information, please visit [bzbgear.com/warranty](https://bzbgear.com/warranty).

For questions, please call 1.888.499.9906 or email [support@bzbgear.com](mailto:support@bzbgear.com).

## Mission Statement

---

BZBGear is a breakthrough manufacturer of high-quality, innovative audiovisual equipment ranging from AVoIP, professional broadcasting, conferencing, home theater, to live streaming solutions. We pride ourselves on unparalleled customer support and services. Our team offers system design consultation, and highly reviewed technical support for all the products in our catalog. BZBGear delivers quality products designed with users in mind.

## Copyright

---

All the contents in this manual and its copyright are owned by BZBGear. No one is allowed to imitate, copy, or translate this manual without BZBGear's permission. This manual contains no guarantee, standpoint expression or other implies in any form. Product specification and information in this manual is for reference only and subject to change without notice.

**All rights reserved.** No reproducing is allowed without acknowledgement.