



# **BG-MR7001-HSU10X-5M**

**Medical-Grade Computer/Laptop Roll Cart/Stand with 10X PTZ  
Camera & Speakerphone for Enhanced Care Type-A**

## **User Manual**







## TABLE OF CONTENTS

Statement	4
Safety Precaution	4
Introduction	5
Features	5
Packing List	5
Specifications	6
Assembly	7
Connection Diagram	9
Troubleshooting	10
Tech Support	11
Limited Product Warranty Terms	11
Mission Statement	12
Copyright	12



## Statement

---

Please read these instructions carefully before connecting, operating, or configuring this product. Please save this manual for future reference.

## Safety Precaution

---

- To prevent damaging this product, avoid heavy pressure, strong vibration, or immersion during transportation, storage, and installation.
- The housing of this product is made of organic materials. Do not expose to any liquid, gas, or solids which may corrode the shell.
- Do not expose the product to rain or moisture.
- To prevent the risk of electric shock, do not open the case. Installation and maintenance should only be carried out by qualified technicians.
- Do not use the product beyond the specified temperature, humidity, or power supply specifications.
- This product does not contain parts that can be maintained or repaired by users. Damage caused by dismantling the product without authorization from BZBGear is not covered under the warranty policy.
- Installation and use of this product must strictly comply with local electrical safety standards.



## Introduction

---

The BG-MR7001-HSU10X-5M Medical Cart Kit represents an advanced and intricately engineered solution specifically crafted to address the unique needs of healthcare professionals. This kit seamlessly integrates a versatile medical cart, the cutting-edge BG-SMB-4M Speakerphone, and the high-performance BG-VPTZ-HSU3 Medical Camera. These components collectively constitute a comprehensive telemedicine and communication solution tailored for medical environments, incorporating essential features and capabilities. Beyond elevating patient care, this kit enables seamless remote collaboration and offers robust support for medical education, underscoring a substantial advancement in the realm of healthcare practices.

## Features

---

- Full HD Video: The BG-VPTZ-HSU3 PTZ camera outputs a clear 1080p@60Hz video feed
- 360° Audio Pickup: The BG-SMB-4M is equipped with an omnidirectional microphone, enabling clear communication in busy environments
- Adjustable Medical Cart: Adjust the height of the medical cart for ease of use.
- Medical Cart Accessories: The medical cart comes equipped with an attachable basket and pull handle for easy storage and maneuverability
- Secure Device Mounting: The medical cart is equipped with secure mounts for your camera and speakerphone and offers a secure space for laptops.
- Efficient Cable Management: The medical cart is designed to ensure clean and organized cable management

## Packing List

---

### Medical Cart

- 1 x Display Holder
- 1 x Desktop
- 2 x Hooks
- 1 x drawer
- 1 x Base
- 1 x Castor
- 1 x Pole
- Assembly Kit



## Specifications

Hardware Specifications	
Load Capacity	1~8Kg as Standard
Trolley Size	450*469*1457mm
Height	1045~1457mm
Drawer	352*245*200mm, load 2kg
Tablet	300*400mm, load 2kg
Adjust Way	Manual lift
Material	Aluminum alloy+Sheet metal+ABS
Package Size	78*63*21.5cm (1PCS in 1 Carton)
Net Weight	12±0.3kg (1PCS)
Gross Weight	15±0.3kg (1PCS)
Certificates	ISO13485/ISO9001/CE/FDA

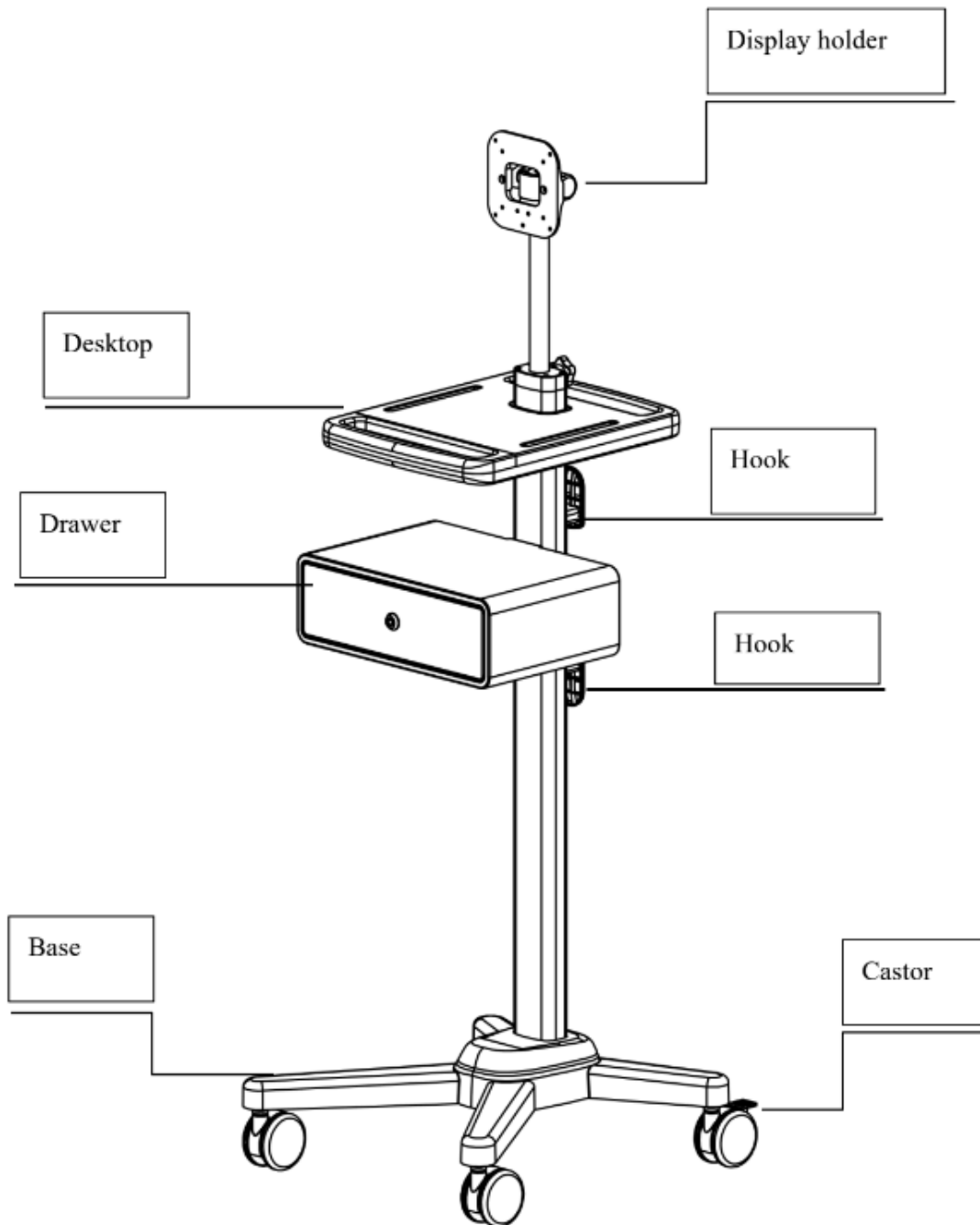


## Assembly

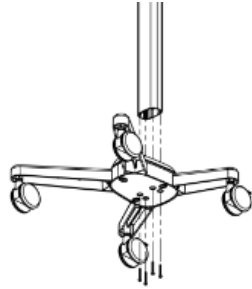
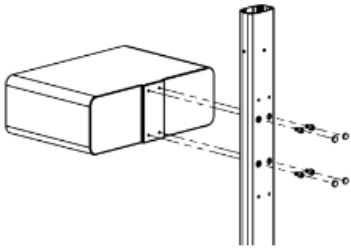
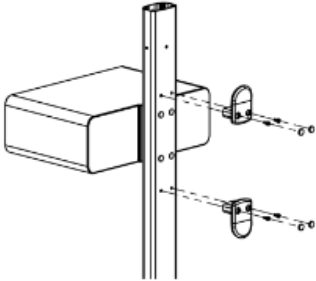
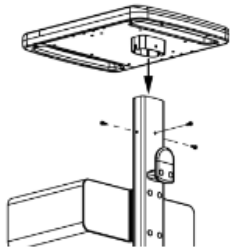
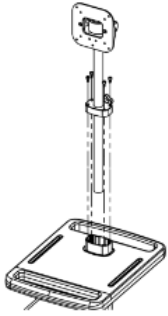
---

### Main Parts and Accessories

---

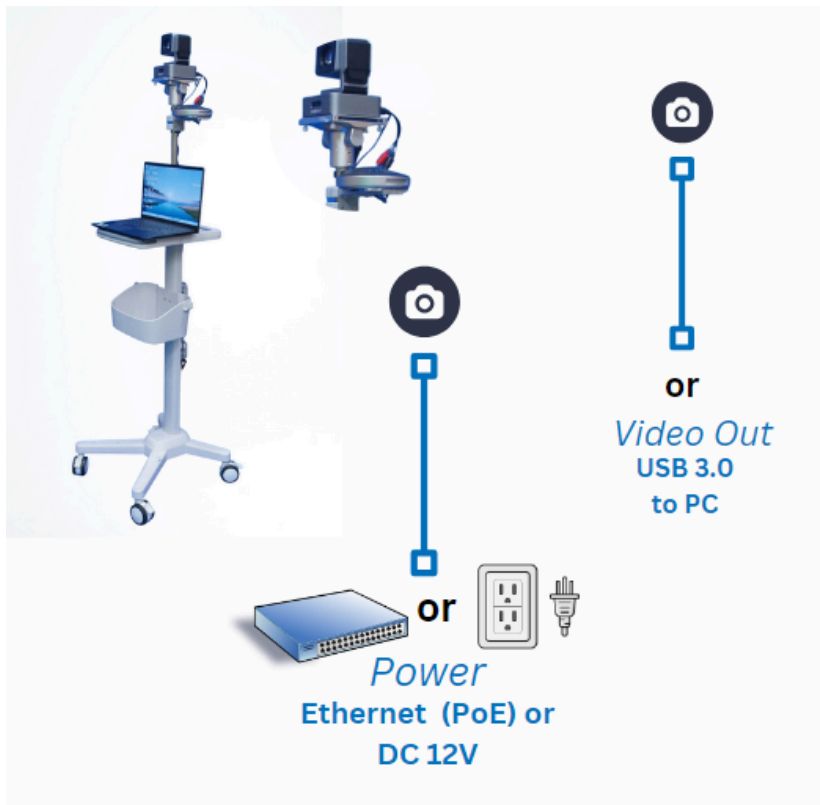
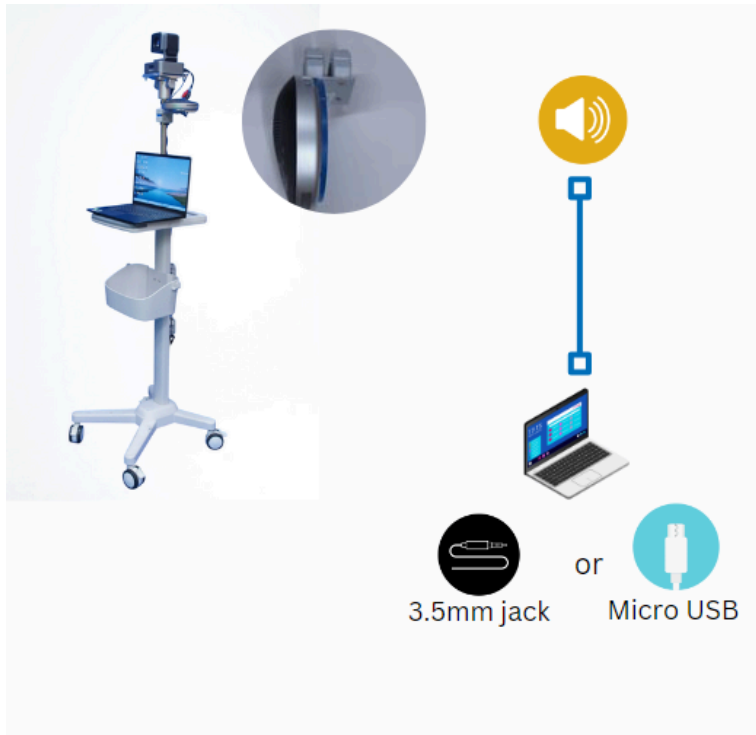




<p><b>1</b></p>	<p>Install the pole</p> <ul style="list-style-type: none"> <li>- Insert Roll Stand Pole to the base</li> <li>-Use 4 PCS hex screws and spacer to lock the pole.</li> </ul>	
<p><b>2</b></p>	<p>Install the drawer</p> <ul style="list-style-type: none"> <li>-Fix the drawer to the pole mounting hole with 4 hexagon socket screws, Cover the screw holes with rubber plugs</li> </ul>	
<p><b>3</b></p>	<p>Install the hook</p> <ul style="list-style-type: none"> <li>-Fix the hook to the pole mounting hole with 4 hexagonal socket screw, Cover the screw holes with rubber plugs</li> </ul>	
<p><b>4</b></p>	<p>Install the desktop</p> <ul style="list-style-type: none"> <li>-Fix the desktop to the pole mounting hole with 3 hexagonal socket screw</li> </ul>	
<p><b>5</b></p>	<p>Install the monitor stand</p> <ul style="list-style-type: none"> <li>-Fix the monitor stand to the pole mounting hole with 4 hexagonal socket screw</li> </ul>	



## Connection Diagram





## Troubleshooting

Problems	Causes	Solutions
No Power / All LED off	Power supply not connected, connected fully, or wrong power supply.	Check if the power supply is connected correctly and the output voltage value is within recommended specifications.
No sound or sound issues	The 3.5mm or micro USB connection is faulty, the displays, do not support the audio format, or the source player is set to another port for audio output.	Check if the cables are connected correctly. Check if the audio format is supported by the display and that a user has not changed the supported audio format on the player's audio output.
No picture or picture flickers	The USB 3.0 or power cable may be faulty. If the issue persists after checking the connections, then it may be a communication issue between the camera and the display.	Check if the cable connections are correct and undamaged. Change to another good working USB 3.0 cable or power/CAT cable (CAT 5e/6 recommended if using PoE function). Check that your display (laptop/monitor) knows to take in the same resolution your camera is outputting.
Functional issues with the medical cart	Parts are not assembled properly, screws may be loose, or parts may be defective.	Double-check that everything is assembled correctly according to the guide. If you are still experiencing issues, call technical support and be sure to list the exact parts that may be causing the issue.



## Tech Support

---

Have technical questions? We may have answered them already!

Please visit BZBGear's support page ([bzbgear.com/support](https://bzbgear.com/support)) for helpful information and tips regarding our products. Here you will find our Knowledge Base ([bzbgear.com/knowledge-base](https://bzbgear.com/knowledge-base)) with detailed tutorials, quick start guides, and step-by-step troubleshooting instructions. Or explore our YouTube channel, BZB TV ([youtube.com/c/BZBTVchannel](https://youtube.com/c/BZBTVchannel)), for help setting up, configuring, and other helpful how-to videos about our gear.

Need more in-depth support? Connect with one of our technical specialists directly:

<b>Phone</b>	<b>Email</b>	<b>Live Chat</b>
1.888.499.9906	<a href="mailto:support@bzbgear.com">support@bzbgear.com</a>	<a href="https://bzbgear.com">bzbgear.com</a>

## Limited Product Warranty Terms

---

Pro Line: 5-year warranty from the date of purchase for AV/Broadcasting products bought on or after August 1, 2024.

Essential Line: 3-year warranty from the date of purchase for AV/Broadcasting products bought on or after August 1, 2024.

Cables: Lifetime Limited Product Warranty.

For complete warranty information, please visit [bzbgear.com/warranty](https://bzbgear.com/warranty).

For questions, please call 1.888.499.9906 or email [support@bzbgear.com](mailto:support@bzbgear.com).



## Mission Statement

---

BZBGear is a breakthrough manufacturer of high-quality, innovative audiovisual equipment ranging from AVoIP, professional broadcasting, conferencing, home theater, to live streaming solutions. We pride ourselves on unparalleled customer support and services. Our team offers system design consultation, and highly reviewed technical support for all the products in our catalog. BZBGear delivers quality products designed with users in mind.

## Copyright

---

All the contents in this manual and its copyright are owned by BZBGear. No one is allowed to imitate, copy, or translate this manual without BZBGear's permission. This manual contains no guarantee, standpoint expression or other implies in any form. Product specification and information in this manual is for reference only and subject to change without notice.

**All rights reserved.** No reproducing is allowed without acknowledgement.