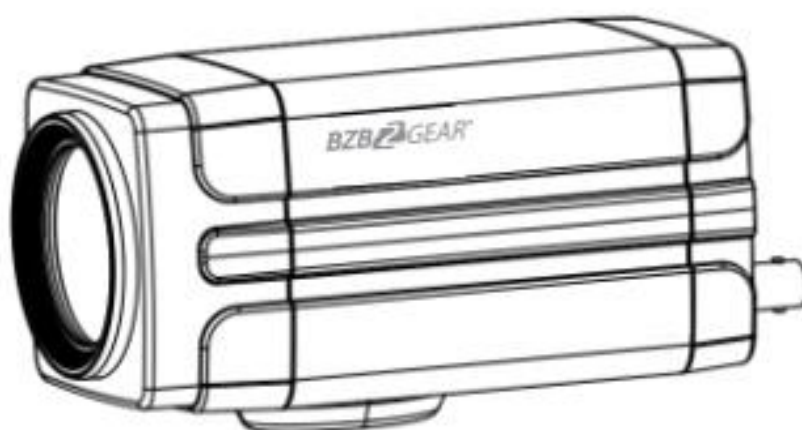


BZB  **GEAR**[®]

BG-B20HS **HD Color Video Camera**

User Manual



Preface:

Thanks for using our HD color video conference camera.

This manual introduces the function installation and operation of the HD camera. Prior to installation and usage, please read the manual thoroughly.

Warning

- Do not expose the camera to rain or moisture
- To reduce the risk of electric shock do not remove the cover. Servicing should only be done by qualified professionals.
- Please use a soft cloth to clean the camera. To prevent damage to the housing avoid using any corrosive or abrasive cleaners.

Electrical Safety

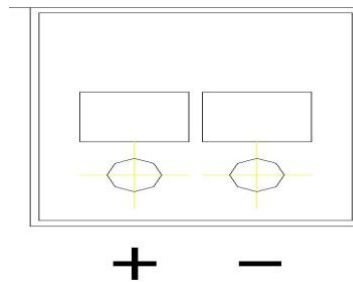
Installation and operation must conform with local standards.

Caution to transport

Avoid stress, vibration and moisture in transport, storage and installation.

Polarity of power supply

The power supply of the product is $\pm 12V$, polarity of the power supply drawing pic 0.1.



Pic 0.4.1 Power plug

Installation Precautions

This camera must be placed on a smooth and level surface

Never power on before installation is completed.

Do not disassemble camera

There are no user-serviceable parts in this camera. Unauthorized disassembly will void your warranty.

Attention

This camera may be sensitive to electromagnetic fields that can distort the image.

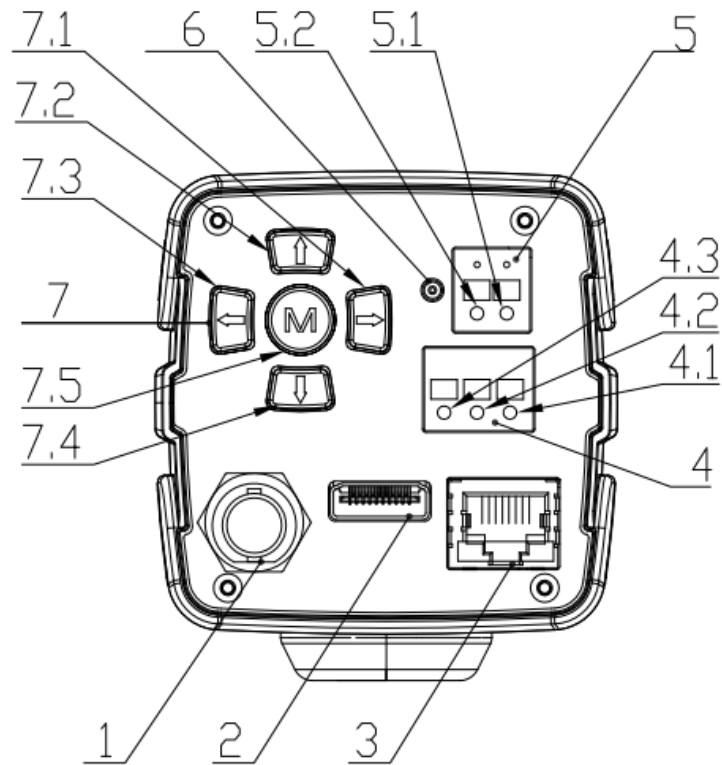
Content

1. Quick Start Guide	4
1.1 CAMERA INTERFACE EXPLANATION.....	4
1.2 POWER ON SELF-TEST	5
1.3 VIDEO OUTPUT	5
1.4 BRACKET MOUNTING	6
2. Product overview	7
2.1 PRODUCT INTRODUCTION.....	7
2.1.1 <i>Dimension</i>	7
2.1.2 <i>Accessories</i>	7
2.2 MAIN FEATURES	8
2.2.1 <i>Camera performance</i>	8
2.2.2 <i>Network performance</i>	8
2.2.3 <i>Technical specifications</i>	8
2.2.4 <i>Keyboard Introduction</i>	10
3. Application Instruction	10
3.1 VIDEO OUTPUT	10
3.1.1 <i>Power-On Initial Configuration</i>	10
3.1.2 <i>Video output</i>	11
3.2 MENU SETTING	11
3.2.1 <i>Main menu</i>	11
3.2.2 <i>System setting</i>	12
3.2.2 <i>Camera settings</i>	12
3.2.3 <i>ZOOM</i>	16
3.2.4 <i>Video Format</i>	16
3.2.5 <i>VERSION</i>	17
3.2.6 <i>RESTORE DEFAULT</i>	17
4. NETWORK CONNECTION	18
4.1 <i>Connection Mode</i>	18
4.2.1 <i>Web client</i>	20
4.2.2 <i>Preview</i>	21
4.2.4 <i>Configuration</i>	21
4.2.5 <i>Video configuration</i>	22
4.2.6 <i>Network configuration</i>	24
4.2.7 <i>System configuration</i>	24
4.2.8 <i>Logout</i>	25
5 Serial communication control.....	25
5.1 VISCA PROTOCOL LIST	26
5.1.1 <i>Camera return command (Correct)</i>	26
5.1.2 <i>Camera control command</i>	26
5.1.3 <i>Inquiry command</i>	30
5.2 PELCO-D PROTOCOL COMMAND LIST	32
5.3 PELCO-P PROTOCOL COMMAND LIS	32

6	Camera Maintenance and Troubleshooting	33
6.1	CAMERA MAINTENANCE	33
6.	Maintenance and Troubleshooting	33
6.1	MAINTENANCE	33
6.2	TROUBLESHOOTING.....	34
7	Warranty	34
8	Mission Statement.....	35

1. Quick Start Guide

1.1 Camera Interface Explanation



Pic 1.1 Back plate

1. HD-SDI interface
2. HDMI interface
3. LAN interface
4. RS485 interface, support VISCA, PELCO-D, PELCO-P protocol
 - 4.1 RS485 D-
 - 4.2 RS485 D+
 - 4.3 RS485 GND
5. Power interface, DC+12V, notes for polarity
 - 5.1 DC+12V negative
 - 5.2 DC+12V positive
6. Power indicator
7. Keyboard
 - 7.1 Zoom In/Right
 - 7.2 Focus -/Down
 - 7.3 Zoom Out/Left
 - 7.4 Focus +/Up
 - 7.5 Menu/Confirm

1.2 Power on self-test

- 1) Power on: connect DC12V power supply adapter, and the indicator light will be on.
- 2) Self-testing: Power on with power indicator light on, camera module will stretch. When the module finishes stretching, the self-testing is finished.

Note: If you set parking position, when Power on self-test is completed, the camera automatically goes to the parking position.

1.3 Video output

- 1) Video output from LAN:
 - a) Network cable connection port
 - b) Web page Login:: open your browser and enter 192.168.5.163 in the address bar (factory default); press Enter to enter into the login page; click on the "player is not installed, please download and install!" and follow the installation steps for installation. Then enter the username *admin* and password *admin* (factory default); press Enter to access the preview page. Users can carry out PTZ control, video recording, playback, configuration and other operations.
 - c) If without image, refer to Chapter 6 Troubleshooting



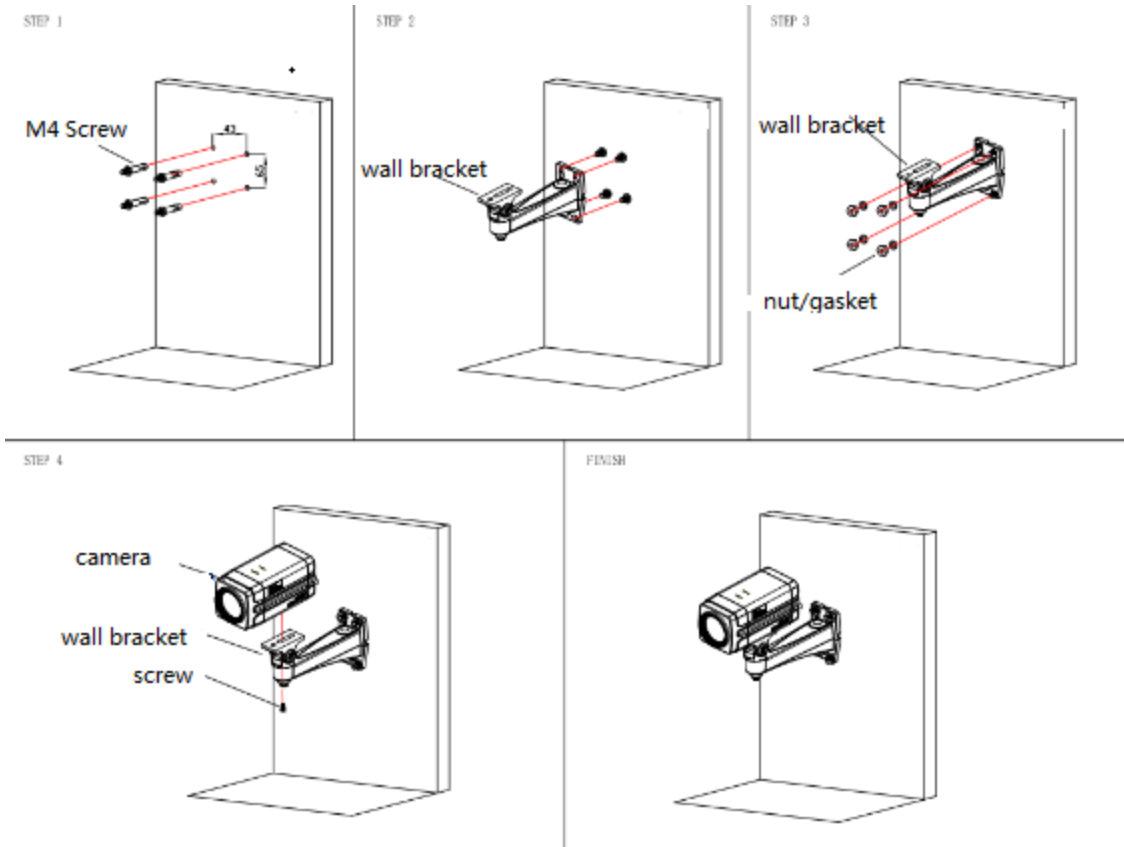
Pic 1.3.1 Web login page

- 2) 3G-SDI video output:
 - a) 3G-SDI video cable connection
 - b) Connect the camera and the monitor via 3G-SDI video cable; video output is available after camera self-test.
 - c) If without image, refer to Chapter 6 Troubleshooting
- 3) HDMI video output:
 - a) HDMI video cable connection
 - b) Connect the camera and the monitor via HDMI video cable; video output is available after camera self-test
 - c) If without image, refer to Chapter 6 Troubleshooting

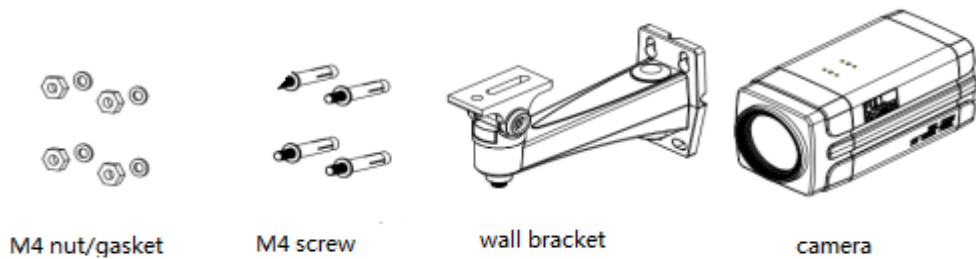
1.4 BRACKET MOUNTING

Note: Ceiling or wall mounting brackets should only be installed on sturdy walls rated to support mounted objects. For safety reason, plasterboard is not recommended.

1) Bracket installation steps



2) Accessories introduction

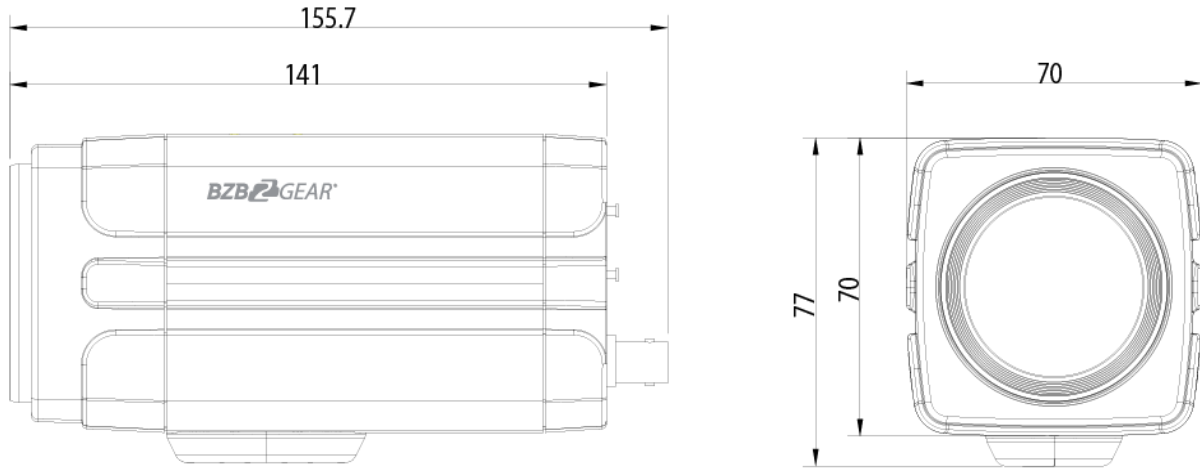


Note: Mounting brackets should be only installed and maintained by a qualified technician. The product installation must strictly comply with all local electrical safety standards.

2. Product overview

2.1 Product introduction

2.1.1 Dimension



Pic 2.1.1 Camera dimension

2.1.2 Accessories

Accessories	Power adapter
	User manual
	Warranty card

2.2 Main Features

2.2.1 Camera performance

This series camera features advanced ISP processing algorithms to provide vivid images with a strong sense of depth, high resolution and fantastic color rendition. It supports H.264/H.264+ encoding which makes motion video fluent and clear even with less than ideal bandwidth conditions.

1. **Superb high-definition image:** It employs 1/2.8-inch high quality CMOS sensor. Resolution is up to 1920x1080 with frame rate up to 60 fps.

2. **Various optical zoom lens:** It has 20X optical zoom lens for options, 3.3degree~54.7degree, 2.9degree~55.4degree lens for option.

3. **Leading Auto focus technology:** Leading auto focus algorithm allows fast, accurate and stable auto-focusing.

4. **Low noise and High SNR:** Low Noise CMOS effectively ensure high SNR of camera video.

Advanced 2D/3D noise reduction technology is also used to further reduce the noise, while ensuring image sharpness.

5. **Multi-Format Video Outputs:** support HDMI, 3G SDI, wired LAN, the 3G-SDI is available for 100m transmission at 1080p60 format.

6. **Support Multiple Control Protocol:** Support VISCA, PELCO-D, PELCO-P protocols which can also be automatically recognized. Support VISCA control protocol through IP port.

7. **Keyboard:** There are up/down/left/right/confirm control key in the back part of the cameras

8. **Control Interface:** Support RS485, Wired LAN, convenient for remote control after installation

9. **Support parking position preset:** Camera will run to the parking position after power on (can choose on/off on menu)

10. **Wide application:** tele-education, lecture capture, Webcasting, Videoconferencing, Tele-training, Tele-medicine, Interrogation and Emergency command systems.

2.2.2 Network performance

1. **Multiple Video compression:** Support H.264/H.264+ video compression; Support compression of resolution up to 1920x1080 with frame up to 60 fps.

2. **Multiple network protocol:** Support ONVIF, RTSP, RTMP protocols and RTMP push mode, easy to link streaming media server (Wowza, FMS)

2.2.3 Technical specifications

Camera Parameters	
Sensor	1/2.8-inch high quality HD CMOS sensor
Effective Pixels	2.07 million; 16: 9
Video Format	1080P60/50/30/25/59.94/29.97 1080I60/50/59.94 720P60/50/30/25 /59.94/29.97
Optical Zoom	20x Optical Zoom f=5.5~110mm

View Angle	3.3° (tele) ~54.7° (wide)
Aperture	F1.6 ~ F3.5
Digital Zoom	X10
Minimum Illumination	0.5Lux (F1.8, AGC ON)
DNR	2D & 3D DNR
White Balance	Auto / Manual/ One Push/ 3000K/ 4000K/5000K/6500K
Focus	Auto/Manual
Iris	Auto/Manual
Electronic Shutter	Auto/Manual
BLC	ON/OFF
WDR	OFF/ Dynamic level adjustment
Video Adjustment	Brightness,Color,Saturation,Contrast,Sharpness,B/W mode,Gamma curve
SNR	>55dB
Input/Output Interface	
Video Interfaces	HDMI, 3G-SDI
Image Code Stream	Dual stream output
Video Compression Format	H.265, H.264
Control Protocol	VISCA/Pelco-D/Pelco-P; Baud Rate: 115200/9600/4800/2400bps
IP Interface	100M IP port(100BASE-TX);Support VISCA protocol control through IP port.
Network Protocol	RTSP, RTMP, ONVIF, GB/T28181
Power Interface	(DC12V)
Other Parameters	
Supply Adapter	Input AC110V-AC220V, output DC12V/1A
Input Voltage	DC12V±10%
Input Current	400mA (Max)
Consumption	4.8W(Max)
Store Temperature	-10°C~+60°C
Store Humidity	20%~95%
Working Temperature	-10°C~+50°C
Working Humidity	20%~80%
Dimension	155.7mmX70mmX70mm
Weight	0.7kg
Working Environment	Indoor
Remote Operation (IP)	Remote Upgrade,Reboot and Reset
Accessory	12V/1A power supply,manual,warranty card,installation bracket(option)

2.2.4 Keyboard Introduction

- **Menu**

Menu and Confirm share the same key - “menu/ok”

- **Up**

In the menu screen, when the cursor is on a particular sub-menu, the cursor will move up to the selected menu when we press the "up" key.

When it is not on menu screen, it is used as Focus+

- **Down**

In the menu screen, when the cursor is on a particular sub-menu, the cursor will move up to the selected menu when we press the "down" key.

When it is not on menu screen, it is used as Focus-

- **Left**

In the menu screen, when the cursor is on a particular sub-menu, we can go to the selected menu by pressing the “left” key.

When it is not on menu screen, it is used as Zoom out.

- **Right**

In the menu screen, when the cursor is on a particular sub-menu, we can go to the selected menu by pressing the “Right” key.

When it is not on menu screen, it is used as Zoom In.

3. Application Instruction

3.1 Video Output

3.1.1 Power-On Initial Configuration

When first powered on the camera will initiate an auto test. When the lens finishes zoom in/out the auto-testing is finished. If the preset 0 is set, camera will default to the 0 preset position.

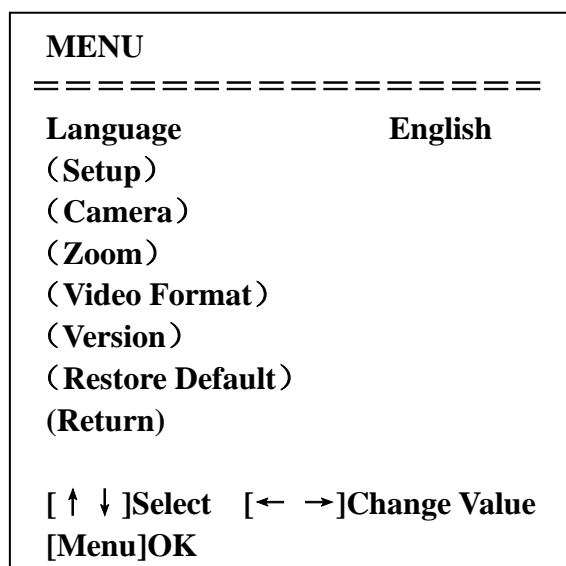
3.1.2 Video output

1. Network output: connect this product and your computer via network cable, then open the browser and enter the camera IP address (factory default 192.168.5.163) in the address bar. From the login page enter user name and password (factory default is "admin" for both). After login you will be taken to the preview page where you will see the camera image. If you forget your username, password, IP address, you can manually restore the default by the default setting option in the menu.
2. 3G-SDI output or HDMI output: Connect the monitor with the corresponding video output interface, then the monitor output image.

3.2 MENU SETTING

3.2.1 Main menu

In normal working mode, press **【MENU】** key to display the menu, using scroll arrow to point at or highlight the selected items.



LANGUAGE: Language setting, Chinese / English

SETUP: System setting

CAMERA OPTION: Camera setting

LEN OPTION: Len setting

VERSON: camera version setting

Restore Default: Reset setting

[↑↓] Select: for selecting menu

[← →] Change value: for modifying parameters

[MENU] OK: Press [MENU] to confirm

3.2.2 System setting

Move the pointer to the (Setup) in the Main Menu, click the **【MENU】** key and enter into the (System Setting) as shown below,

SETUP	
=====	
Protocol	Auto
Visca Address	1
Visca Address Fix	OFF
PELCO-P Address	1
PELCO-D Address	0
Baudrate	9600
Return	
[↑ ↓]Select [← →]Change Value	
[Menu]OK	

PROTOCOL:VISCA/Pelco-P/Pelco-D/Auto

Visca ADDR:VISCA=1~7 Pelco-P=1~16(1~16)/Pelco-D = 0~15(0~15)

Baud rate: 2400/4800/9600/115200

RETURN: Return to the former menu (Exit from main menu)

[↑↓] Select: for selecting menu

[← →] Change value: for modify parameters

[MENU] OK: Press [MENU] to confirm

3.2.2 Camera settings

Move the pointer to the (CAMERA) in the Main Menu, click the **【MENU】** key and enter the (CAMERA) settings

Shutter priority: 1/25, 1/30, 1/50, 1/60, 1/90, 1/100, 1/120, 1/180, 1/250, 1/350, 1/500, 1/1000, 1/2000, 1/3000, 1/4000, 1/6000, 1/10000 (only available in Manual and Shutter priority mode)

IRIS priority: OFF, F11.0, F9.6, F8.0, F6.8, F5.6, F4.8, F4.0, F3.4, F2.8, F2.4, F2.0, F1.8 (only available in Manual and Iris priority mode)

BRIGHTNESS: 0~23 (only available in Brightness priority mode)

RETURN: Return to the former menu

[↑↓] Select: for selecting menu

[← →] Change value: for modify parameters

[MENU] OK: Press [MENU] to confirm

2) COLOR SETTING

Highlight (COLOR) in the Main Menu and click **[MENU]** to enter Color Settings.

COLOR	
=====	
WB Mode	Auto
Saturation	80%
Hue	7
AWB Sensitivity	High
Color style	Default
Color temp	Low
Return	
[↑ ↓] Select [← →] Change Value	
[Menu] OK	

WB MODE: Auto, 3000K, 4000K, 5000K, 6500K, Manual, One Push

RED GAIN: 0~255 (only available in Manual mode)

BLUE GAIN: 0~255 (only available in Manual mode)

SATURATION: 60%, 70%, 80%, 90%, 100%, 110%, 120%, 130%

Hue: 0~14

AWB Sensitivity: high/middle/low

Color Style: Default, style1~4.

Color temp: high/middle/low

RETURN: Return to the former menu

[↑↓] Select: for selecting menu

[← →] Change value: for modify parameters

[MENU] OK: Press [MENU] to confirm

3) IMAGE

Highlight (IMAGE) in the Menu and click **【HOME】** to enter Image Settings.

IMAGE	
=====	
Brightness	6
Contrast	8
Sharpness	2
Flip-H	OFF
Flip-V	OFF
B&W-Mode	Color
Gamma	Default
DZoom	OFF
DCI	Close
Return	
[↑ ↓]Select [← →]Change Value	
[Menu]OK	

Brightness: 0~14

Contrast: 0~14

Sharpness:0~15

Flip-H: On/Off

Flip-V: On/Off

B&W mode: color, black/white

Gamma:default,0.47,0.50,0.52,0.55

DZoom: digital zoom options: On/Off

DCI: Dynamic Contrast: Off,1~8

RETURN: Return to the former menu

[↑↓] Select: for selecting menu

[← →] Change value: for modify parameters

[MENU] OK: Press [MENU] to confirm

4) FOCUS

Move the pointer to the (FOCUS) in the Menu, click the **【MENU】** and enter the (FOCUS) as follow,

FOCUS	
=====	
Focus Mode	Auto
AF-Zone	Center
AF-Sensitivity	Low
Return	
[↑ ↓]Select [← →]Change Value	
[Menu]OK	

Focus mode: Auto, manual

AF-Zone: Up, middle, down

AF-Sensitivity: High, middle, low

RETURN: Return to the former menu (if it is main menu, means close menu)

[↑↓] Select: for selecting menu

[← →] **Change value:** for modify parameters
[MENU] **OK:** Press [MENU] to confirm

5) NOISE REDUCTION

Move the pointer to the (NOISE REDUCTION) in the Menu,click the【MENU】and enter the (NOISE REDUCTION) as follow,

NOISE REDUCTION	
=====	
NR-2D	Auto
NR-3D	5
Dynamic Hot Pixel	OFF
Return	
[↑ ↓]Select [← →]Change Value	
[Menu]OK	

2D NOISE REDUCTION: Auto, close, 1~7
3D NOISE REDUCTION: Close,1~8
Dynamic Hot Pixel: Close,1~5

RETURN: Return to the former menu

[↑↓] **Select:** for selecting menu
[← →] **Change value:** for modify parameters
[MENU] **OK:** Press [MENU] to confirm

3.2.3 ZOOM

Highlight (ZOOM) in the Main Menu and click 【MENU】 to enter Zoom Settings.

Zoom	
=====	
Zoom speed	8
Park Set	ON
Saving Park?	NO
Return	
[↑ ↓]Select [← →]Change Value	
[Menu]OK	

Zoom speed: Set the zoom speed for remote controller,1~8
Park Set: ON/OFF
Saving Park: YES/NO

RETURN: Return to the former menu
[↑↓] **Select:** for selecting menu
[← →] **Change value:** for modify parameters
[MENU] **OK:** Press [MENU] to confirm

3.2.4 Video Format

Highlight (Video Format) in the Menu and click 【MENU】 to enter Video Format settings.

VIDEO FORMAT	
=====	
1080P60	1080P50
1080I60	1080I50
1080P30	1080P25
720P60	720P50
720P30	720P25
1080P59.94	
1080I59.94	
1080P29.97	
720P59.94	
720P29.97	
Return	

3.2.5 VERSION

Highlight (VERSION) in the Main Menu and click **【MENU】** to view Version Information.

VERSION		
=====		
MCU Version	2.0.0.0	2015-12-18
Camera Version	2.0.0.15	2015-12-18
AF Version	2.0.0.6	2015-12-11
Return		
[Menu]OK		

MCU Version: Display MCU version information

Camera Version: Display camera version information

AF Version: Display the focus version information

RETURN: Return to the former menu (if it is main menu, means close menu)

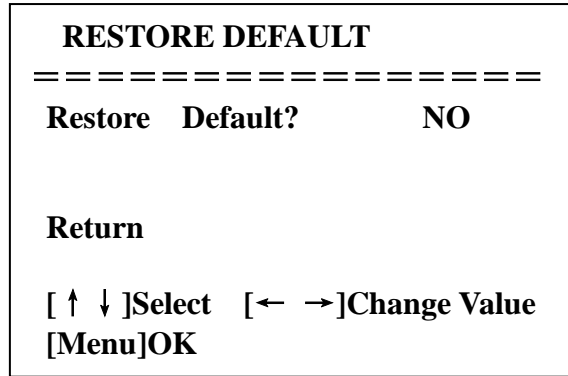
[↑↓] Select: for selecting menu

[← →] Change value: for modify parameters

[MENU] OK: Press [MENU] to confirm

3.2.6 RESTORE DEFAULT

Highlight (RESTORE DEFAULT) in the Main Menu and click **【MENU】** to enter Restore Default Settings.



Restore default: options: yes/no

RETURN: Return to the former menu (if it is main menu, means close menu)

[↑↓] Select: for selecting menu

[← →] Change value: for modify parameters

[MENU] OK: Press [MENU] to confirm

4. Network Connection

4.1 Connection Mode

Direct connection: Connect the camera directly to the computer by using an ethernet cable.

Internet connection mode: Connect the camera and computer to a router or switch and access via the local area network (LAN).

Note: Ensure power and network connections are secured to prevent video issues caused by poor connection quality.

The computer must be on the same subnet as the camera to connect successfully. The device will not be accessible otherwise. The camera default IP address is 192.168.5.163, therefore the computer must be connected to the 192.168.5.x subnet.

To connect to the camera open the Local Area Connection Properties on the computer.

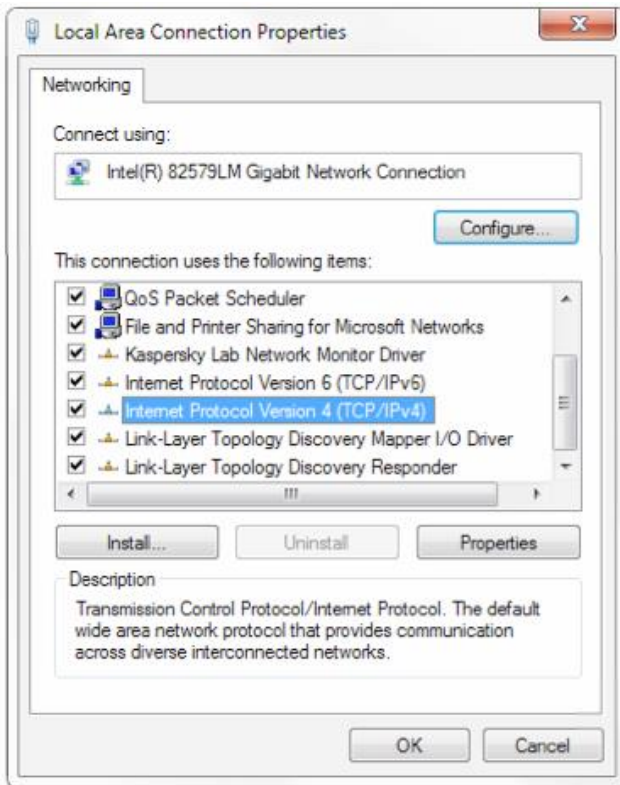
For Windows users right-click on the internet connection in the lower right corner of the desktop.

Select **“Open Network & Internet Settings”**.

Select **“Change Adapter Options”**.

Right-click on your connection (Wi-Fi or Ethernet) and select **“Properties”**.

Select **“Internet protocol version 4 (TCP/IPv4)”** as shown below and click **“Properties”**.



For the following steps refer to the diagram below.

Click on the bubble for **“Use the following IP address”**

In the **IP address** field enter a non-conflicting IP address on the same subnet as the camera. If there is another device with the same IP address you will not be able to connect. In the example below we are using 192.168.5.200

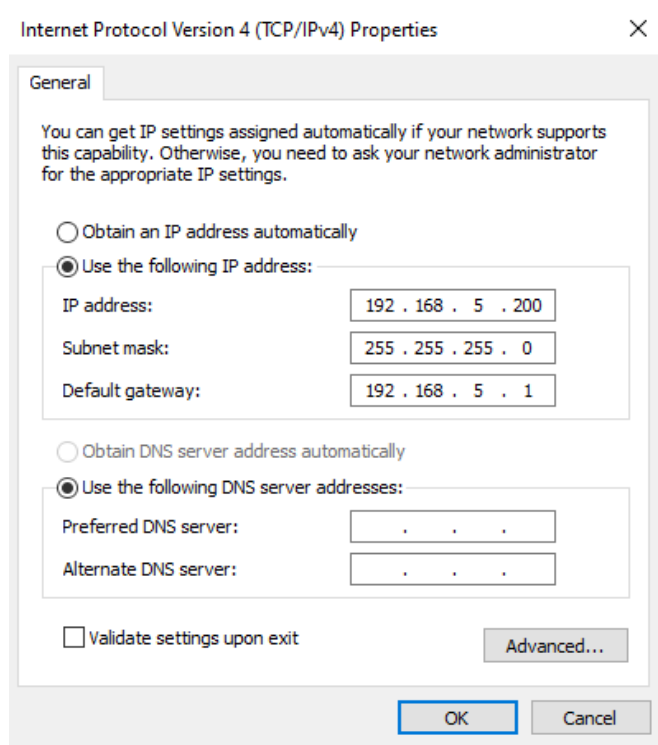
In the **Subnet mask** field enter 255.255.255.0

In the **Default gateway** field type 192.168.5.1

You can leave the DNS fields blank.

Click **OK** to apply your settings.

NOTE: When you are finished configuring the camera you will need to return to this screen and click the bubbles for **“Obtain an IP address automatically”** and **“Obtain DNS server automatically”** to restore internet connectivity to your computer. Also make sure to reconnect any ethernet cables you may have unplugged.



4.2.1 Web client

1) Web client

Input the IP address 192.168.5.163 of the device in the address field of browser and click Enter button to access Web Client login page as pic 4.2.2.

If logging in as administrator (Default: Username – admin / Password – admin), users can preview and set configuration in the Web Client. If logging in as a normal user (Default Username/Password: user1 or user2), users can only preview and log out; no option for configuration.



Pic 4.2.2 Network log in

NOTE: Supported Browsers for WebGUI access include Chrome, Firefox, and Safari.

4.2.2 Preview

After login you will be taken to the default video preview interface. User can control the zoom, focus, snapshot, enlarge, full screen and position 0 preset set operations etc.

4.2.4 Configuration

Click **Configuration** to access the device parameters setting page.

Menu	Explanation
Local configure	Including video preview mode, record video packing time, record video storage route settings etc.
Audio configure	Including audio compressing format, sampling frequency, sampling precision, compressing code rate settings etc.
Video configure	Including video encoding, video parameters, character-overlapping, character size, video output setting etc.
Network configure	Including basic parameters, Ethernet, DNS, wireless network setting etc.
Pan Tilt configure	Including basic parameters, system parameters setting etc.
Platform access configure	Including ONVIF docking switch
System configure	Including equipment property, system time, user management, version update, Reset, Reboot device settings etc.

1)Local configure

a) Video Preview Mode: user can choose real-time priority or fluency priority. The delay will be small when under real time priority mode and fluency will be good when under fluency priority mode. Setting based on the user need (Default

value: real time normal (2), real time best (1), fluency normal (3), fluency good (4) and fluency best (5))

b) Recording video packing time(minute): Set recording video packing time (default is 10, range from 1~120 minutes)

c) Recording/Snapshot file storage route: Set local recording video/snapshot file storage route.(Default D:\MyIPCam\)

d) Click the **Save** button to make settings effective.

2)Audio Configuration

a) Switch: Choose to enable the audio or not.

b) Compressing format: Set audio compressing format and the device will reboot automatically after change (default MP3, PCM, AAC optional)

c) Sampling frequency: Set sampling frequency and the device will reboot automatically after change (default 44100,16000,32000 and 48000 optional)

d Sampling precision: Set sampling precision (default 16bits)

e) Compressing code rate: Set audio compressing code rate (default 64bits, 32,48,96,128bits optional)

f) Click "Save" button and the settings become effective when noting "Saved successfully"

4.2.5 Video configuration

1) Video encoding

a) Code stream: It will call different code stream when setting different video output format. (Main stream and Secondary stream)

b) Compressing format: Set video compressing format and the device will reboot automatically (Main/Second code stream default H.264, H.265 optional))

c) Video size: set resolution, then device will restart automatically (Main stream default 1920*1080,1280*720 optional, Secondary stream default 640 * 320, 320 * 180,1280 * 720 , 1920*1080 optional).

d) Stream Rate control: Set rate control mode, then device will restart automatically (Primary / secondary stream default variable bit rate, fixed rate is for option).

e) Image quality: Set image quality(default for Primary stream is better image, secondary stream default is bad image. Best, better, good, bad, worse, worst for optional).

f) Rate (Kb / s): Set the video bit rate (main stream default 4096Kb / s, 64-12288Kb / s optional; secondary stream default 1024Kb / s, 64-10240Kb / s optional).

g) Frame rate (F / S): Set the video frame rate (primary / secondary stream default 25F / S, primary stream 5-30F/S optional, secondary stream 5-30F / S optional).

h) Keyframe interval: Set the key frame interval (primary / secondary stream default 75F, primary / stream 1-300F optional. secondary stream 1-150F optional).

i) Name of Stream: User can revise the name of stream when obtaining RTSP or RTMP stream; main stream (default live/av0), secondary stream (default live/av1). Note: usually remain the live and revise the parts thereafter.

j) Click on the "Save" button to display the "Save successful" message, then set is to take effect.

2)Flow Post

a) Switch: To turn on or off the main / secondary stream.

b) Protocol: primary / secondary stream are both use RTMP protocol.

c) Host Port: server port number (default 1935,0-65535 optional)

d) Host Address: server IP addresses (default 192.168.5.11)

e) Flow Name: choose a different stream name (live / av0, live / av1 optional).

f) User: Set the username.

g) Password: Set the password.

h) Click on the "Save" button to display the "Save successful" message, then set is to take effect.

3)Video Parameters

Focus:

Focus Mode: set the focus mode (the default auto, manual optional)

Focus range: set the focus range (the default middle, the upper and lower optional)

Focus Sensitivity: Set the focus sensitivity (default is low, high, medium optional)

a) Exposure:

Exposure Mode: Set the exposure mode (the default automatic, manual, shutter priority, aperture priority, Brightness priority optional)

Exposure compensation: Exposure compensation setting is active when it is auto status (default is off).

Exposure compensation value: Set the exposure compensation value, valid when it is set for auto (default 0, -7 to 7 optional).

BLC: Set back light compensation, valid when it is auto status (default is off).

Anti-flicker: Set up anti-flicker mode, valid when status of automatic, aperture or brightness priority (default 50Hz, closed, 60Hz optional).

Gain limit: set the gain limits, auto, active when it is status of aperture or brightness priority (default 3,0-15 optional).

b) Dynamic range: set the dynamic range (default 5, Off, 0-8 optional).

c) Shutter speed: active when it is status of manual or shutter-priority (default 1/100, 1/25, 1/30, 1/50, 1/60, 1/90, 1/100, 1/120, 1/180, 1/250, 1/350, 1/500, 1/1000, 1/2000, 1/3000, 1/4000, 1/6000, 1/10000 optional).

d) Aperture value: Set the aperture value, active when it is status of manual or aperture-priority (default F1.8, closed, F11, F9.6, F8.0, F6.8, F5.6, F4.8, F4.0, F3.4, F2.8, F2.4, F2.0, F1.8 optional).

e) Brightness: Set the brightness value, active when it is a state of brightness priority (default 7,0-23 optional).

f) Color:

White balance modes: Set the white balance mode (the default automatic, 3000K,4000K,5000K,6500K, manual, One-push optional). Note: Click the "Correction" button when selected the One-push white balance mode.

Red Gain: Set the red gain, effective when it is manual (default 255,0-255 optional).

Blue Gain: Sets the Blue gain, effective when it is manual (default 199,0-255 optional).

Saturation: Set the saturation (default 80%, 60%, 70%, 80%, 90%, 100%, 110%, 120%, 130%, optional).

Color: Set the chrome (default 7,0-14 optional).

Auto white balance Sensitivity: Sensitivity Auto white balance settings (default is low, high, medium optional).

Red Gain. Set Red Gain. Only effective when white balance mode is manual (default 255, 0~255 optional)

Blue Gain. Set Blue Gain. Only effective when white balance mode is manual (default 255, 0~255 optional)

g) Image:

Brightness: Set the brightness (default 6,0-14 optional).

Contrast: set the contrast (default 8,0-14 optional).

Sharpness: Sets the sharpness value (default 7,0-15 optional).

Black and white mode: Set black and white mode (default color, black/white optional).

Gamma: Gamma value setting (default, 0.45,0.50,0.52,0.55 optional).

Flip Horizontal: Set Flip Horizontal (default Off, On optional).

Flip Vertical: Set vertical flip (default Off, On optional).

h) Noise Reduction:

2D Noise Reduction: Set 2D noise reduction level (default Auto, 1-7 and Off optional).

3D Noise Reduction: Set 3D noise reduction level (default 5,1-8 and Off optional).

Dynamic dead pixel correction: Set Dynamic dead pixel correction (default Off,1-8 optional).

Note: Click the "Refresh" to make revision of the a,b,c,d values become effective in the video.

1) Character-Overlapping

a) Display date and time: Set whether to display the time and date (default display).

B) Show Title: Set whether to display the title (default display).

C) Time font color: Set the time and date font color (default white, black, yellow, red, blue optional).

D) Title font color: Set the title font color (default white, black, yellow, red, blue optional).

E) Moving characters: Set the date, time and title display position, click on the "up, down, left, right" buttons to move the corresponding character position.

F) Title Content: Set title content (default CAMERA1).

G) Time Content: Set time content (default 1970/01/10 05:36:00)

H) Click on the "Save" button and display the "Save successful" message, then valid

2) Character Size

a) Main stream character size: Set the character size of the display, the device will restart automatically after changed and saved (default 24,24,16 optional)

b) Secondary stream character size: Set the character size of the display, the device will restart automatically after changed and saved (default 16,24,16 optional)

Click on the "Save" button to display "Parameter saved successfully" message, set to take effect

3) Video output

a) Output Format: Set the video output format (default

1080P60,1080P50,1080P30,1080P25,1080I60,1080I50,720P60,720P50,720P30,720P25,1080P59.94,1080I59.94,1080P29.97,720P59.94,720P29.97 optional).

b) Click on the "Save" button to display the "Save successful" message, then valid.

Note: Model S-S20/T20 support up to P30 video formats.

4.2.6 Network configuration

1) Network port

a) Data port: set the data port, the device will restart automatically after changed (default 3000,0-65535 optional).

b) Web Port: Set Web port, the device will restart automatically after changed (default is 80,0-65535 is optional).

c) Onvif Port: Set Onvif port, the device will restart automatically after changed (default 2000,0-65535 optional).

d) Soap Port: Set Soap port (default 1936,0-65535 optional).

e) RTMP Port: Set RTMP port (default 1935,0-65535 optional).

f) RTSP Port: Set RTSP port, the device will restart automatically after changed (default 554,0-65535 optional).

g) Visca Port: Set Visca port, the device will restart automatically after changed (default 3001,0-65535 optional).

Click on the "Save" button to display the "Save successful" message, then valid.

2) Ethernet parameters

a) DHCP: Set whether to open to obtain IP automatically. The machine will restart automatically after change (off by default)

b) IP Address: Set the IP address, the device will restart automatically after changes (default 192.168.5.163).

c) Note: Here is the IP address of the web page of the sign-in address

d) Subnet Mask: Set the subnet mask (default 255.255.5.0).

e) Default Gateway: Set the default gateway (default 0.0.0.0).

f) Physical Address: Set the physical address (the parameter is read-only but can not be modified).

Click on the "Save" button to display the "Save successfully" message, then the set is to take effect (Note: To prevent IP conflicts When modify).

3) DNS parameters

a) Preferred DNS server: set the preferred DNS server. (Default 0.0.0.0).

b) Alternate DNS server: Alternate DNS server settings. (Default 0.0.0.0).

c) Click on the "Save" button to display the "Save successfully" message, then the set is to take effect.

4) GB28181

a) Enable/disable GB28181

b) Time Synchronization: whether synchronization time is set, you can check

c) Stream Type: stream type setting (the default main stream, secondary stream optional)

d) Sign effective time (in seconds): 3600 Range 5-65535

e) Heartbeat time (seconds): 60 Range 1-65535

f) Register ID: 3402000001320000001

g) Register Username: IPC

h) Register Password: 12345678

i) Equipment ownership: Users can add their own

j) Administrative regions: Users can add their own

k) Alarm Zone: Users can add their own

l) Equipment installation address: Users can add their own

m) Local SIP Port: 5060 Range 0-65535

n) GB28181 Server Address: IP address of the computer

o) Server SIP Port: 5060 Range 0-65535

p) Server ID: 3402000000200000001

q) Click on the "Save" button to display "Parameter saved successfully" message, set to take effect

4.2.7 System configuration

1) Device Properties

a) Device Name: Set the device name (the default Camera1, user can add their own).

b) Device ID: Set the device ID (default 1, Read-Only).

c) System Language: Set the system language (default Simplified Chinese, English optional).

d) Click on the "Save" button to display the "Save successfully" message, then the set is to take effect.

2) System Time

a) Date Format: Set the date format (YYYY-MM-DD default That year - month - day, MM-DD-YYYY namely Month - Day - Year, DD-MM-YYYY date - month - year Optional).

- b) Date separator: set the date separator (default '/',':','-' Optional).
- c) Time Zone: Set the time zone (default East eight districts, other time zones optional).
- d) Time Type: Set the time types (default 24 hours, optional 12 hours).
- e) Time setting: Set time mode (to choose the computer time synchronization, NTP server time synchronization, or set manually).
- f) Computer Time: Set the computer synchronization valid.
- g) Set the time manually. Click the calendar icon on the right to set the time manually. Effective when set manually.
- h) Update interval: Set the NTP server automatic updated time interval. Valid after setting NTP server synchronization (default one day, 2-10 days Optional).
- i) NTP server address or domain name: Set NTP server address or domain name (default time.nits.gov). Valid after setting NTP server synchronization.
- j) NTP Server Port: Sets the NTP server port (default 123). Valid after setting NTP server synchronization.
- k) Save. Click on the "Save" button to display the "Save successfully" message, then the set is to take effect.

3)User Management

- a) Select users: Set the user type (the default administrator, Common User 1, Common User 2 optional)
- b) Username: set the username (Select User Administrator default admin; select a common user1 default user1; to select a common user 2 default user2; user can modify their own)
- c) Password: Set a password (Select User Administrator default admin; select a common user1 default user1; to select a common user 2 default user2; user can modify their own).
- d) Password confirmation: Confirm the input passwords are the same or not.
- e) Click on the "Save" button to display the "Save successfully" message, then the set is to take effect.

Note: Please note the case-sensitivity of the username and password.

If login page by a common user's name and password, one does not have configuration privileges but can only operate to preview, playback, logoff.

4)Version upgrade

- a) MCU version V2.0.0.0 2015-12-18
- b) Camera version V2.0.0.16 2015-12-18
- c) Focus version V2.0.0.6 2015-12-11
- r) Update file:

Click "Browse ..." installation, to select the upgrade file in the pop-up window.

Click on the "Upgrade" button, the upgrade dialog will appear. the device will reboot automatically after update successfully. (Note: make sure the power and network are connected during the process or the upgrade will fail)

5)Restore factory setting

- a) Click on pop-up "Restore Factory Defaults" button and choose "yes" or "no", then the device will restart automatically and restore factory setting.

6) Reboot

- a) Click on the pop-up "Reboot" button and choose "yes" or "no", then the device will restart automatically

4.2.8 Logout

Click pop-up "logout" window and choose "yes" or "no", to choose to logout the present page and return to the user login page.

5 Serial communication control

Under common working condition, the camera could be controlled through RS232/RS485 interface

(VISCA),RS232C serial parameter are as follows:

Baud rate: 2400/4800/9600/115200 bits / sec; Start bit: 1; data bits: 8; Stop bit: 1; Parity: None.

After power on, the camera first go left, then back to the middle position. Self-test is finished after the zoom moved to the farthest and then back to the nearest position. If the camera saved 0 preset before, it will be back to that position after initialization. At this point, the user can control the camera by the serial commands.

5.1 VISCA protocol list

5.1.1 Camera return command (Correct)

Ack/Completion Message		
	Command packet	Note
ACK	z0 41 FF	Returned when the command is accepted.
Completion	z0 51 FF	Returned when the command has been executed.

z = camera address + 8

5.1.2 Camera return command (Wrong)

Error Messages		
	Command packet	Note
Syntax Error	z0 60 02 FF	Returned when the command format is different or when a command with illegal command parameters is accepted
Command Not Executable	z0 61 41 FF	Returned when a command cannot be executed due to current conditions. For example, when commands controlling the focus manually are received during auto focus.

5.1.2 Camera control command

Command	Function	Command packet	Note
AddressSet	Broadcast	88 30 01 FF	Address setting
IF_Clear	Broadcast	88 01 00 01 FF	I/F Clear
CommandCancel		8x 21 FF	
CAM_Power	On	8x 01 04 00 02 FF	Power ON/OFF
	Off	8x 01 04 00 03 FF	
CAM_Zoom	Stop	8x 01 04 07 00 FF	p = 0(low) - 7(high) pqrs: Zoom Position
	Tele(Standard)	8x 01 04 07 02 FF	
	Wide(Standard)	8x 01 04 07 03 FF	
	Tele(Variable)	8x 01 04 07 2p FF	
	Wide(Variable)	8x 01 04 07 3p FF	
	Direct	8x 01 04 47 0p 0q 0r 0s FF	
CAM_Focus	Stop	8x 01 04 08 00 FF	p = 0(low) - 7(high) pqrs: Focus Position
	Far(Standard)	8x 01 04 08 02 FF	
	Near(Standard)	8x 01 04 08 2p FF	
	Far(Variable)	8x 01 04 08 3p FF	
	Near (Variable)	8x 01 04 08 03 FF	
	Direct	8x 01 04 48 0p 0q 0r 0s FF	
	Auto Focus	8x 01 04 38 02 FF	
	Manual Focus	8x 01 04 38 03 FF	
CAM_Zoom Focus	Direct	8x 01 04 47 0p 0q 0r 0s 0t 0u 0v 0w FF	pqrs: Zoom Position tuvw: Focus Position

CAM_WB	Auto	8x 01 04 35 00 FF	
	3000K	8x 01 04 35 01 FF	
	4000k	8x 01 04 35 02 FF	
	One Push mode	8x 01 04 35 03 FF	
	5000k	8x 01 04 35 04 FF	
	Manual	8x 01 04 35 05 FF	
	6500k	8x 01 04 35 06 FF	
CAM_RGain	Reset	8x 01 04 03 00 FF	
	Up	8x 01 04 03 02 FF	Manual Control of R Gain
	Down	8x 01 04 03 03 FF	
	Direct	8x 01 04 43 00 00 0p 0q FF	pq: R Gain
CAM_Bgain	Reset	8x 01 04 04 00 FF	
	Up	8x 01 04 04 02 FF	Manual Control of B Gain
	Down	8x 01 04 04 03 FF	
	Direct	8x 01 04 44 00 00 0p 0q FF	pq: B Gain
CAM_AE	Full Auto	8x 01 04 39 00 FF	Automatic Exposure mode
	Manual	8x 01 04 39 03 FF	Manual Control mode
	Shutter priority	8x 01 04 39 0A FF	Shutter Priority Automatic Exposure mode
	Iris priority	8x 01 04 39 0B FF	Iris Priority Automatic Exposure mode
	Bright	8x 01 04 39 0D FF	Bright mode
CAM_Shutter	Reset	8x 01 04 0A 00 FF	
	Up	8x 01 04 0A 02 FF	Shutter Setting
	Down	8x 01 04 0A 03 FF	
	Direct	8x 01 04 4A 00 00 0p 0q FF	pq: Shutter Position
CAM_Iris	Reset	8x 01 04 0B 00 FF	
	Up	8x 01 04 0B 02 FF	Iris Setting
	Down	8x 01 04 0B 03 FF	
	Direct	8x 01 04 4B 00 00 0p 0q FF	pq: Iris Position
CAM_Gain	Reset	8x 01 04 0C 00 FF	
	Up	8x 01 04 0C 02 FF	Gain Setting
	Down	8x 01 04 0C 03 FF	
	Direct	8x 01 04 0C 00 00 0p 0q FF	pq: Gain Positon
CAM_Bright	Reset	8x 01 04 0D 00 FF	
	Up	8x 01 04 0D 02 FF	Bright Setting
	Down	8x 01 04 0D 03 FF	
	Direct	8x 01 04 4D 00 00 0p 0q FF	pq: Bright Positon
CAM_ExpComp	On	8x 01 04 3E 02 FF	Exposure Compensation ON/OFF
	Off	8x 01 04 3E 03 FF	
	Reset	8x 01 04 0E 00 FF	
	Up	8x 01 04 0E 02 FF	Exposure Compensation Amount Setting
	Down	8x 01 04 0E 03 FF	
	Direct	8x 01 04 4E 00 00 0p 0q FF	pq: ExpComp Position

CAM_Back Light	On	8x 01 04 33 02 FF	Back Light
	Off	8x 01 04 33 03 FF	Compensation
CAM_NR (2D)		8x 01 04 53 0p FF	P=0-7 0:OFF
CAM_NR (3D)		8x 01 04 54 0p FF	P=0-8 0:OFF
CAM_Gamma		8x 01 04 5B 0p FF	p = 0 – 4 0: Default 1: 0.47 2: 0.50 3: 0.52 4: 0.55
CAM_Flicker		8x 01 04 23 00 FF	OFF
		8x 01 04 23 01 FF	50HZ
		8x 01 04 23 02 FF	60HZ
CAM_Aperture	Reset	8x 01 04 02 00 FF	Aperture Control
	Up	8x 01 04 02 02 FF	
	Down	8x 01 04 02 03 FF	
	Direct	8x 01 04 42 00 00 0p 0q FF	pq: Aperture Gain
CAM_Memory	Reset	8x 01 04 3F 00 0p FF	p: Memory Number(=0 to 254)
	Set	8x 01 04 3F 01 0p FF	Corresponds to 0 to 9 on the Remote Commander
	Recall	8x 01 04 3F 02 0p FF	
CAM_LR_Reverse	On	8x 01 04 61 02 FF	Image Flip Horizontal ON/OFF
	Off	8x 01 04 61 03 FF	
CAM_PictureFlip	On	8x 01 04 66 02 FF	Image Flip Vertical ON/OFF
	Off	8x 01 04 66 03 FF	
CAM_ColorSaturation	Direct	8x 01 04 49 00 00 00 0p FF	P=0-7 0:60% 1:70% 2:80% 3:90% 4:100% 5:110% 6:120% 7:130%
CAM_IDWrite		8x 01 04 22 0p 0q 0r 0s FF	pqrs: Camera ID (=0000 to FFFF)
SYS_Menu	ON	8x 01 04 06 06 02 FF	Turn on the menu screen
	OFF	8x 01 04 06 06 03 FF	Turn off the menu screen
IR_Receive	ON	8x 01 06 08 02 FF	IR(remote commander)receive On/Off
	OFF	8x 01 06 08 03 FF	
IR_ReceiveReturn	On	8x 01 7D 01 03 00 00 FF	IR(remote commander)receive message via the VISCA communication ON/OFF
	Off	8x 01 7D 01 13 00 00 FF	
CAM_SettingReset	Reset	8x 01 04 A0 10 FF	Reset Factory Setting
CAM_Brightness	Direct	8x 01 04 A1 00 00 0p 0q FF	pq: Brightness Position

CAM_Contrast	Direct	8x 01 04 A2 00 00 0p 0q FF	pq: Contrast Position
CAM_Flip	OFF	8x 01 04 A4 00 FF	Single Command For Video Flip
	Flip-H	8x 01 04 A4 01 FF	
	Flip-V	8x 01 04 A4 02 FF	
	Flip-HV	8x 01 04 A4 03 FF	
CAM_VideoSystem	Set camera video system	8x 01 06 35 00 0p FF	P: 0-E Video format 0:1080P60 1:1080P50 2:1080i60 3:1080i50 4:720P60 5:720P50 6:1080P30 7:1080P25 8:720P30 9:720P25 A: 1080P59.94 B: 1080i59.94 C: 720P59.94 D: 1080P29.97 E: 720P29.97
Pan_tilt Drive	Up	8x 01 06 01 VV WW 03 01 FF	VV: Pan speed 0x01 (low speed) to 0x18 (high speed) WW: Tilt speed 0x01 (low speed) to 0x14 (high speed) YYYY: Pan Position ZZZZ: Tilt Position
	Down	8x 01 06 01 VV WW 03 02 FF	
	Left	8x 01 06 01 VV WW 01 03 FF	
	Right	8x 01 06 01 VV WW 02 03 FF	
	Upleft	8x 01 06 01 VV WW 01 01 FF	
	Upright	8x 01 06 01 VV WW 02 01 FF	
	DownLeft	8x 01 06 01 VV WW 01 02 FF	
	DownRight	8x 01 06 01 VV WW 02 02 FF	
	Stop	8x 01 06 01 VV WW 03 03 FF	
	AbsolutePosition	8x 01 06 02 VV WW 0Y 0Y 0Y 0Y 0Z 0Z 0Z 0Z FF	
	RelativePosition	8x 01 06 03 VV WW 0Y 0Y 0Y 0Y 0Z 0Z 0Z 0Z FF	
	Home	8x 01 06 04 FF	
	Reset	8x 01 06 05 FF	
Pan-tilt LimitSet	Set	8x 01 06 07 00 0W 0Y 0Y 0Y 0Y 0Z 0Z 0Z 0Z FF	W:1 UpRight 0:DownLeft YYYY: Pan Limit Position(TBD) ZZZZ: Tilt Limit Position(TBD)
	Clear	8x 01 06 07 01 0W 07 0F 0F 0F 07 0F 0F 0F FF	

5.1.3 Inquiry command

Command	Function	Command packet	Note
CAM_PowerInq	8x 09 04 00 FF	y0 50 02 FF	On
		y0 50 03 FF	Off(Standby)
CAM_ZoomPosInq	8x 09 04 47 FF	y0 50 0p 0q 0r 0s FF	pqrs: Zoom Position
CAM_FocusAFModelInq	8x 09 04 38 FF	y0 50 02 FF	Auto Focus
		y0 50 03 FF	Manual Focus
CAM_FocusPosInq	8x 09 04 48 FF	y0 50 0p 0q 0r 0s FF	pqrs: Focus Position
CAM_WBModelInq	8x 09 04 35 FF	y0 50 00 FF	Auto
		y0 50 01 FF	3000K
		y0 50 02 FF	4000K
		y0 50 03 FF	One Push Mode
		y0 50 04 FF	5000K
		y0 50 05 FF	Manual
		y0 50 00 FF	6500K
CAM_RGainInq	8x 09 04 43 FF	y0 50 00 00 0p 0q FF	pq: R Gain
CAM_BGainInq	8x 09 04 44 FF	y0 50 00 00 0p 0q FF	pq: B Gain
CAM_AEModelInq	8x 09 04 39 FF	y0 50 00 FF	Full Auto
		y0 50 03 FF	Manual
		y0 50 0A FF	Shutter priority
		y0 50 0B FF	Iris priority
CAM_ShutterPosInq	8x 09 04 4A FF	y0 50 00 00 0p 0q FF	pq: Shutter Position
		y0 50 03 FF	Manual
CAM_IrisPosInq	8x 09 04 4B FF	y0 50 00 00 0p 0q FF	pq: Iris Position
CAM_BrightPosInq	8x 09 04 4D FF	y0 50 00 00 0p 0q FF	pq: Bright Position
CAM_ExpCompModelInq	8x 09 04 3E FF	y0 50 02 FF	On
		y0 50 03 FF	Off
CAM_ExpCompPosInq	8x 09 04 4E FF	y0 50 00 00 0p 0q FF	pq: ExpComp Position
CAM_BacklightModelInq	8x 09 04 33 FF	y0 50 02 FF	On
		y0 50 03 FF	Off
CAM_NRLevel(2D) Inq	8x 09 04 53 FF	y0 50 0p FF	P: 2DNRLLevel
CAM_NRLevel(3D) Inq	8x 09 04 54 FF	y0 50 0p FF	P:3D NRLevel
CAM_FlickerModelInq	8x 09 04 55 FF	y0 50 0p FF	p: Flicker Settings(0: OFF, 1: 50Hz, 2: 60Hz)
CAM_ApertureInq	8x 09 04 42 FF	y0 50 00 00 0p 0q FF	pq: Aperture Gain
CAM_PictureEffectModelInq	8x 09 04 63 FF	y0 50 00 FF	Off
		y0 50 04 FF	B&W
CAM_MemoryInq	8x 09 04 3F FF	y0 50 0p FF	p: Memory number last operated.
SYS_MenuModelInq	8x 09 06 06 FF	y0 50 02 FF	On
		y0 50 03 FF	Off
CAM_LR_ReverseInq	8x 09 04 61 FF	y0 50 02 FF	On
		y0 50 03 FF	Off
IR_ReceiveReturn		y0 07 7D 01 04 00 FF	Power ON/OFF
		y0 07 7D 01 04 07 FF	Zoom tele/wide
		y0 07 7D 01 04 38 FF	AF ON/OFF
		y0 07 7D 01 04 33 FF	Camera _Backlight
		y0 07 7D 01 04 3F FF	Camera _Memery
		y0 07 7D 01 06 01 FF	Pan_titleDriver
CAM_PictureFlipInq	8x 09 04 66 FF	y0 50 02 FF	On
		y0 50 03 FF	Off
CAM_ColorSaturationInq	8x 09 04 49 FF	y0 50 00 00 00 0p FF	p: Color Gain setting 0h (60%) to Eh (130%)
CAM_IDInq	8x 09 04 22 FF	y0 50 0p FF	p: Gamma ID
IR_ReceiveInq	8x 09 06 08 FF	y0 50 02 FF	On
		y0 50 03 FF	Off
CAM_BrightnessInq	8x 09 04 A1 FF	y0 50 00 00 0p 0q FF	pq: Brightness Position
CAM_ContrastInq	8x 09 04 A2 FF	y0 50 00 00 0p 0q FF	pq: Contrast Position
CAM_FlipInq	8x 09 04 A4 FF	y0 50 00 FF	Off
		y0 50 01 FF	Flip-H

		y0 50 02 FF	Flip-V
		y0 50 03 FF	Flip-HV
CAM_GammaInq	8x 09 04 5B FF	y0 50 0p FF	p: Gamma setting
CAM_VersionInq	8x 09 00 02 FF	y0 50 ab cd mn pq rs tu vw FF	ab cd : vender ID (0220) mn pq : model ID ST (0950) U3 (3950) rs tu : ARM Version vw : reserve
VideoSystemInq	8x 09 06 23 FF	y0 50 0p FF	P: 0~E Video format 0:1080P60 1:1080P50 2:1080i60 3:1080i50 4:720P60 5:720P50 6:1080P30 7:1080P25 8:720P30 9:720P25 A: 1080P59.94 B: 1080i59.94 C: 720P59.94 D: 1080P29.97 E: 720P29.97
Pan-tiltMaxSpeedInq	8x 09 06 11 FF	y0 50 ww zz FF	ww: Pan Max Speed zz: Tilt Max Speed
Pan-tiltPosInq	8x 09 06 12 FF	y0 50 0w 0w 0w 0w 0z 0z 0z 0z FF	www: Pan Position zzzz: Tilt Position

Note:

[X] in the above table indicates the camera address to be operated, **【y】 = 【x + 8】** .

Function	Byte1	Byte2	Byte3	Byte4	Byte5	Byte6	Byte7
Up	0xFF	Address	0x00	0x08	Pan Speed	Tilt Speed	SUM
Down	0xFF	Address	0x00	0x10	Pan Speed	Tilt Speed	SUM
Left	0xFF	Address	0x00	0x04	Pan Speed	Tilt Speed	SUM
Right	0xFF	Address	0x00	0x02	Pan Speed	Tilt Speed	SUM
Upleft	0xFF	Address	0x00	0x0C	Pan Speed	Tilt Speed	SUM
Upright	0xFF	Address	0x00	0x0A	Pan Speed	Tilt Speed	SUM
DownLeft	0xFF	Address	0x00	0x14	Pan Speed	Tilt Speed	SUM
DownRight	0xFF	Address	0x00	0x12	Pan Speed	Tilt Speed	SUM
Zoom In	0xFF	Address	0x00	0x20	0x00	0x00	SUM
Zoom Out	0xFF	Address	0x00	0x40	0x00	0x00	SUM
Focus Far	0xFF	Address	0x00	0x80	0x00	0x00	SUM
Focus Near	0xFF	Address	0x01	0x00	0x00	0x00	SUM
Set Preset	0xFF	Address	0x00	0x03	0x00	Preset ID	SUM
Clear Preset	0xFF	Address	0x00	0x05	0x00	Preset ID	SUM
Call Preset	0xFF	Address	0x00	0x07	0x00	Preset ID	SUM
Query Pan	0xFF	Address	0x00	0x51	0x00	0x00	SUM

Position							
Query Pan Position Response	0xFF	Address	0x00	0x59	Value High Byte	Value Low Byte	SUM
Query Tilt Position	0xFF	Address	0x00	0x53	0x00	0x00	SUM
Query Tilt Position Response	0xFF	Address	0x00	0x5B	Value High Byte	Value Low Byte	SUM
Query Zoom Position	0xFF	Address	0x00	0x55	0x00	0x00	SUM
Query Zoom Position Response	0xFF	Address	0x00	0x5D	Value High Byte	Value Low Byte	SUM

5.2 Pelco-D protocol command list

5.3 Pelco-P protocol command list

Function	Byte1	Byte2	Byte3	Byte4	Byte5	Byte6	Byte7	Byte8
Up	0xA0	Address	0x00	0x08	Pan Speed	Tilt Speed	0xAF	XOR
Down	0xA0	Address	0x00	0x10	Pan Speed	Tilt Speed	0xAF	XOR
Left	0xA0	Address	0x00	0x04	Pan Speed	Tilt Speed	0xAF	XOR
Right	0xA0	Address	0x00	0x02	Pan Speed	Tilt Speed	0xAF	XOR
Upleft	0xA0	Address	0x00	0x0C	Pan Speed	Tilt Speed	0xAF	XOR
Upright	0xA0	Address	0x00	0x0A	Pan Speed	Tilt Speed	0xAF	XOR
DownLeft	0xA0	Address	0x00	0x14	Pan Speed	Tilt Speed	0xAF	XOR
DownRight	0xA0	Address	0x00	0x12	Pan Speed	Tilt Speed	0xAF	XOR
Zoom In	0xA0	Address	0x00	0x20	0x00	0x00	0xAF	XOR
Zoom Out	0xA0	Address	0x00	0x40	0x00	0x00	0xAF	XOR
Focus Far	0xA0	Address	0x01	0x00	0x00	0x00	0xAF	XOR
Focus Near	0xA0	Address	0x02	0x00	0x00	0x00	0xAF	XOR
Set Preset	0xA0	Address	0x00	0x03	0x00	Preset ID	0xAF	XOR
Clear Preset	0xA0	Address	0x00	0x05	0x00	Preset ID	0xAF	XOR
Call Preset	0xA0	Address	0x00	0x07	0x00	Preset ID	0xAF	XOR
Query Pan Position	0xA0	Address	0x00	0x51	0x00	0x00	0xAF	XOR
Query Pan Position Response	0xA0	Address	0x00	0x59	Value High Byte	Value Low Byte	0xAF	XOR
Query Tilt Position	0xA0	Address	0x00	0x53	0x00	0x00	0xAF	XOR
Query Tilt Position Response	0xA0	Address	0x00	0x5B	Value High Byte	Value Low Byte	0xAF	XOR
Query Zoom	0xA0	Address	0x00	0x55	0x00	0x00	0xAF	XOR

Position								
Query Zoom Position Response	0xA0	Address	0x00	0x5D	Value High Byte	Value Low Byte	0xAF	XOR

6 Camera Maintenance and Troubleshooting

6.1 Camera Maintenance

- 1) If camera is not used for long time, please turn off power adapter switch and AC plug.
- 2) Use soft cloth or tissue to clean the camera cover.
- 3) Use soft cloth to clean the lens; Use neuter cleanser if bad smeared. No use strong or corrosive cleanser or corrosive cleanser avoiding scuffing.

6. Maintenance and Troubleshooting

6.1 Maintenance

- 1) Power off the camera and disconnect the power adapter if it's not in use for long periods of time.
- 2) Use a soft cloth or tissue to clean the camera cover.
- 3) Wipe it with a soft, dry cloth when cleaning the camera lens. Wipe it gently with a mild detergent if needed. Do not use strong or corrosive detergents to avoid scratching the lens and affecting the video quality.

6.2 Troubleshooting

1) No video output-

Check whether the camera power supply is connected, the voltage is normal, and the power indicator is lit.

Check whether the camera performed a self-test after restart.

Check whether the bottom of the DIP switch is the normal operating mode

Verify that output cable and display monitor are working properly.

2) Image cuts out-

Verify that output cable and video display are working properly.

3) Image distorts when camera is moving-

Check whether the camera installation position is solid

Check whether there is machinery or objects nearby that could be transmitting vibration to the camera.

4) Remote control does not work-

Verify remote control address is set to 1

Check remote control batteries

Verify the camera is in the normal operating mode

Verify the OSD has been exited. Camera cannot be controlled while the menu is being displayed.

5) Serial port not working-

Verify that camera serial device protocol, baud rate, address is correct

Check whether the control cable is connected properly

Check whether the camera working mode is the normal operating mode

6) Cannot connect to Web UI

Check whether the camera output is being displayed normally.

Check whether the network cable is connected properly(Ethernet port yellow light flashes to indicate normal network cable connection)

Verify your computer is connected to the same subnet as the camera

7 Warranty

BZBGear wants to assure you peace of mind. All BZBGear cameras and camera-related products include our Stress-Free Three-Year Warranty.

For complete warranty information, please visit BZBGear.com/warranty.

For questions, please call 1.888.499.9906 or email support@bzbgear.com.

8 Mission Statement

BZBGear manifests from the competitive nature of the audiovisual industry to innovate while keeping the customer in mind. AV solutions can cost a pretty penny, and new technology only adds to it. We believe everyone deserves to see, hear, and feel the advancements made in today's AV world without having to break the bank. BZBGear is the solution for small to medium-sized applications requiring the latest professional products in AV.

We live in a DIY era where resources are abundant on the internet. With that in mind, our team offers system design consultation and expert tech support seven days a week for the products in our BZBGear catalog. You'll notice comparably lower prices with BZBGear solutions, but the quality of the products is on par with the top brands in the industry. The unparalleled support from our team is our way of showing we care for every one of our customers. Whether you're an integrator, home theater enthusiast, or a do-it-yourselfer, BZBGear offers the solutions to allow you to focus on your project and not your budget.

All the contents in this manual and its copyright are owned by BZBGear. No one is allowed to imitate, copy, or translate this manual without BZBGear's permission. This manual contains no guarantee, standpoint expression or other implies in any form. Product specification and information in this manual is for reference only and subject to change without notice.

All rights reserved. No reproducing is allowed without acknowledgement.